



CL Electric Range

Freestanding LED Fire



Instructions for Use & Installation

Instructions d'installation et d'utilisation

Installatie en gebruikershandleiding

Istruzioni per l'uso e la l'installazione

Instruksjoner for bruk og installasjon



EN: THIS APPLIANCE MUST BE EARTHED
FR: CET APPAREIL DOIT ÊTRE RELIÉ À LA TERRE
NL: DIT APPARAAT MOET WORDEN GEAARD
IT: QUESTO APPARECCHIO DEVE ESSERE
PROVVISTO DI MESSA A TERRA
NO: DENNE PEISEN MÅ TILKOBLES JORD



Contents/ Contenu/ Inhoud/ Contenuto/ Innhold

GB

Control System Technical Data	3
Operating Instructions	5
Dimensions	39
Installation.....	41
Wiring Diagram.....	50
Information Requirement - Electric Heaters	51

FR

Données techniques du système de commande...	3
Mode d'emploi	12
Dimensions	39
Installation.....	41
Schéma de câblage.....	50
Informations à fournir pour un appareil de chauffage électrique localisé	51

NL

Controlesysteem technische data	3
Bedieningsinstructies	19
Dimensies.....	39
Installatie.....	42
Bedradingsschema	50
Informatie-eisen voor elektrische toestellen voor lokale ruimteverwarming	51

IT

Dati tecnici del sistema di controllo.....	3
Istruzioni Di Funzionamento	26
Dimensioni	39
Installazione	42
Schema di cablaggio.....	50
Informazioni obbligatorie per gli apparecchi per il riscaldamento d'ambiente locale elettrici	51

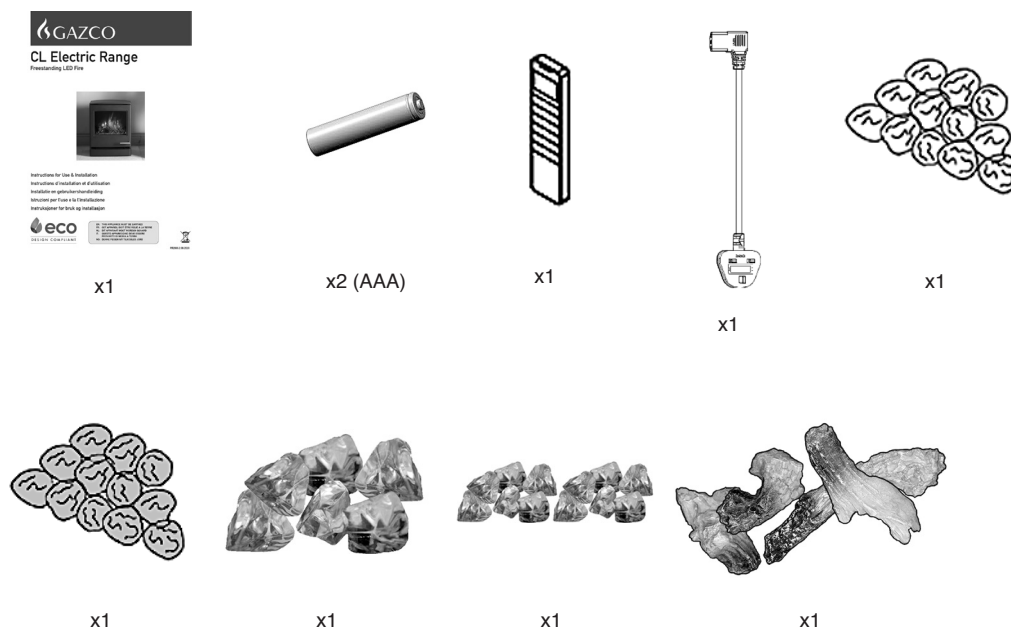
NO

Kontrollsystem teknisk data	3
Betjeningsinstrukser.....	33
Dimensjoner	39
Installasjon.....	43
Koblingsdiagram	50

CONTROL SYSTEM TECHNICAL DATA/ DONNÉES TECHNIQUES DU SYSTÈME DE COMMANDE/ CONTROLESYSTEEM TECHNISCHE DATA/
DATI TECNICI DEL SISTEMA DI CONTROLLO/ KONTROLLSYSTEM TEKNISK DATA

	MAIN CONTROL BOARD/ TABLEAU DE COMMANDE PRINCIPAL/ HOOFDBEDIENINGSTAFEL/ PANNELLO DI CONTROLLO PRINCIPALE/ HOVED-KONTROLLKORT	REMOTE RECEIVER BOARD/ TABLEAU DU RÉCEPTEUR À DISTANCE/ AFSTANDONTVANGSTAFEL/ SCHEMA RICEVITORE REMOTO/ FJERNMOTTAGER-KORT	REMOTE CONTROL/ COMMANDE À DISTANCE/ AFSTANDSBEDIENING/ TELECOMANDO/ FJERNKONTROLL
Hardware	RC01-040A05 V1	RF290B V1.2	RF290A-TX V1.3
Software/ Logiciel	RC01-040A05 V1	-	RF290C V06.0.HEX
Frequency/ Fréquence/ Frequentie/ Frequenza/ Frekvens	-	-	ASK/OOK 433.92MHz
Maximum Transmit Power/ Puissance de transmission maximum/ Maximale zendkracht/ Massima potenza di trasmissione/ Maksimal sendestøm	-	-	10mW

PACKING CHECKLIST/ LISTE DE VÉRIFICATION DU CONDITIONNEMENT/ PAKLIJST/ ELENCO DI IMBALLAGGIO/
PAKSEDEL OG SJEKKLISTE



IMPORTANT

PARTS OF THE OUTER CASING OF THIS APPLIANCE ARE CONSIDERED BY THE MANUFACTURER TO BE A WORKING SURFACE WHICH BECOMES HOT WHEN THE HEATER IS SWITCHED ON. IT IS THEREFORE RECOMMENDED THAT A FIREGUARD COMPLYING WITH BS 8423 (LATEST EDITION) IS USED IN THE PRESENCE OF YOUNG CHILDREN, THE ELDERLY OR INFIRM.

**THE HEATER OUTLET GRILLE BECOMES VERY HOT WHILST IN OPERATION.
DO NOT COVER THE OUTLET GRILLE OR ANY PART OF THE APPLIANCE.**

For use with 230V 50Hz electricity supply only.

Please read these instructions carefully before installation and keep them in a safe place.

They will be needed when maintenance or servicing is required.

THIS APPLIANCE MUST BE EARTHED

THIS PRODUCT IS ONLY SUITABLE FOR WELL INSULATED SPACES AND OCCASIONAL USE.

IMPORTANT INFORMATION AND HEALTH AND SAFETY

Read all of the instructions carefully before using the appliance.

Remove all packaging and dispose of at an appropriate recycling facility.

Do not locate this appliance immediately below a fixed socket outlet.

Parts of the outer casing of this appliance are considered by the manufacturer to be a working surface which becomes hot when the heater is switched on. You must use a suitable fire guard to protect children, the elderly and the infirm.

Do not use this appliance in the immediate surroundings of a bath, shower, swimming pool or any other area where the appliance could come into contact with water or humidity, e.g. a bathroom.



WARNING! DO NOT COVER

Do not allow the appliance to be covered or let the air inlet/outlet become obstructed as the appliance may overheat. Please note the warning symbol on the appliance (see above).

For indoor use only. This appliance is not suitable for use outside the house.

This appliance must stand on a clean, level, firm surface. Do not stand the fire on a carpet. Ensure that furniture, curtains etc. are positioned no closer than 1m and the fire stands on a surface that can withstand temperatures of 90°C for prolonged periods. Do not allow rugs to be placed within 500mm of the front of the appliance.

Where the electricity supply cable has to pass through a fire place, stone surround etc. ensure suitable rubber bushes are fitted at possible wear points.

If installed in an open fireplace, blank off the chimney to reduce the risk of a back draught which can cause the safety cut-out to operate.

Keep the power cord away from hot surfaces and hot conditions. Do not route the power lead in front of the appliance.

When the fire has been installed the position of the plug must be accessible.

If the electricity supply cable is damaged do not use the appliance until it has been replaced. For safety reasons the replacement has to be carried out by a Gazco service agent or a similarly competent electrician.

CAUTION: In order to avoid a hazard due to inadvertent resetting of the thermal cut-out, this appliance must not be supplied through an external switching device, such as a timer, or connected to a circuit that is regularly switched on and off by the utility.

Do not operate the appliance if it is damaged.

Repairs of electrical appliances must only be performed by an electrical engineer. Should the appliance fail to operate, or in case of any damage, please contact the retailer from whom the appliance was purchased.

This appliance can be used by children aged from 8 years and above and persons with reduced physical, sensory or mental capabilities or lack of experience and knowledge if they have been given supervision or instruction concerning use of the appliance in a safe way and understand the hazards involved. Children of less than 3 years should be kept away unless continuously supervised.

Children aged from 3 years and less than 8 years shall only switch on/off the appliance provided that it has been placed or installed in its intended normal operating position and they have been given supervision or instruction concerning use of the appliance in a safe way and understand the hazards involved. Children aged from 3 years and less than 8 years shall not plug in, regulate and clean the appliance or perform maintenance.

However Gazco recommend:

This appliance is not intended to be used by persons under the age of 12, persons with reduced physical, sensory or mental capabilities or persons with lack of experience and knowledge in the safe operation of the appliance.

The appliance may be operated by persons above the age of 12 provided they have been instructed in the safe use of the appliance and that they understand the hazards involved. Persons above the age of 12 may also operate the appliance under the supervision of a responsible adult.

Parts of this appliance become hot whilst in operation and under no circumstances should persons under the age of 12 be left alone with the product when it is in operation unless a suitable fireguard is used to protect them against the possibility of coming into direct contact with the appliance.

Children shall not play with the appliance.

Cleaning and user maintenance shall not be made by children without supervision.

OPERATING INSTRUCTIONS



WARNING! Do not operate the appliance if it is damaged or has malfunctioned. If you suspect the appliance is damaged or has malfunctioned call a qualified service engineer to inspect the appliance, and replace any part of the electrical system if necessary, before reuse.

Do not disconnect the power at the mains supply whilst the appliance is running. Use the functions on the remote to turn the fire off and ensure the mains switch has been moved to the off position before disconnecting.

GENERAL

The appliance can be operated by the radio frequency handset or the manual controls which located on the control panel located on the right-hand side (CL3, 5, & 8) or behind the door (CL5 Midline & Highline)



NOTE: To use both remote and manual functions the manual on/off switch must be in 'ON' position. In order to prevent the product becoming too hot, there is a 10s delay when turning on the heater and a 10s delay when turning off the heater fan.

The manual button controls basic functions, not a full range of controls. Use the remote hand set to carry out all functions.

PREPARATION BEFORE USE

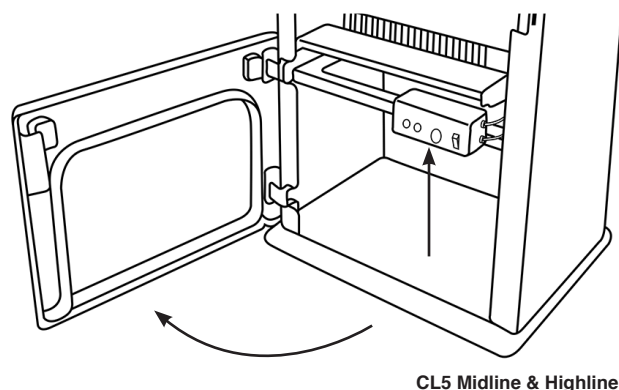
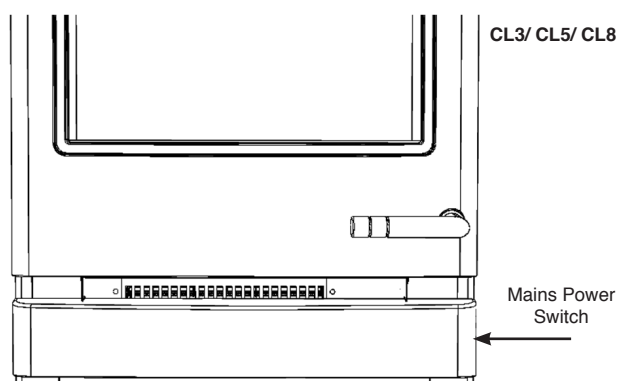
Batteries:

Ensure that the handset batteries are new and inserted correctly.

Dispose of old batteries at an appropriate recycling facility.

LOCATION OF POWER SWITCH

The mains power switch is located on the control panel located on the right-hand side (CL3, 5, & 8) or behind the door (CL5 Midline & Highline).

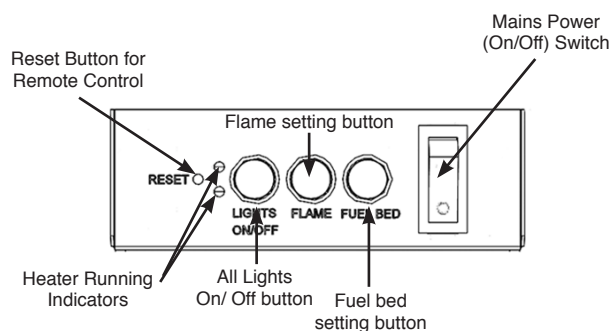


Switch ON (—) before operating either the remote or manual controls.

A long beep is heard to indicate the fire is ready for use.

MANUAL CONTROL PANEL

The manual controls are located on the control panel located on the right-hand side (CL3, 5, & 8) or behind the door (CL5 Midline & Highline)



Turning on the appliance with the main power switch on '—' position. A long beep will be heard.

Press "LIGHTS ON/OFF" to turn on or turn off both the flame and fuel bed at the same time.

There are 3 flame colour options:

Press "FLAME" button to select the colour of flame (3 kinds of flame colour with flame) or return to the OFF position.

There are 14 fuel bed colour options:

Press "FUEL BED" button to select the colour of fuel bed or return to the OFF position.

Note: The appliance will lose the memory for the light functions when the switch is set to the Off Position or the remote runs out of power.

Heater Running Indicators

When the fan heater is used in conjunction with the flame or fuel bed effects the heater running indicators will light up for 10 seconds.

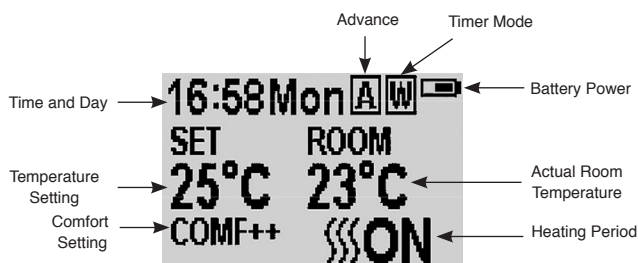
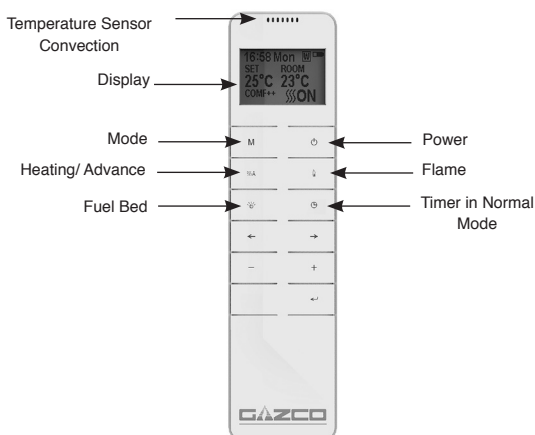
The LEDs will illuminate for 10 seconds if the flame or fuel bed effect is On. If the fan heater is used independently, the heater running indicators will stay on.

Reset Button for Remote Control

If the handset loses signal or needs to be replaced then, see Servicing Section for details.

REMOTE CONTROLS

The remote control should be left on a flat surface in the room where the appliance is installed and away from any direct flow of hot air.



Signal Code

The remote control works by radio signal. The handheld transmitter is configured in the factory with a unique signal code.

IMPORTANT: If the handset loses signal or needs to be replaced, see Servicing Section for details.

NOTE: The remote control has a Battery Status indicator (top right corner), after an extended period of displaying empty the LED screen will cease to function despite the handset still being able to send commands. Replace the batteries to restore display.

Turn on/off

Press button to turn on the flame effect.

Press button to turn off all the functions under the normal heating control mode including flame effect and fan heater.

Press button to turn off the flame effect under daily and week timer heating mode.

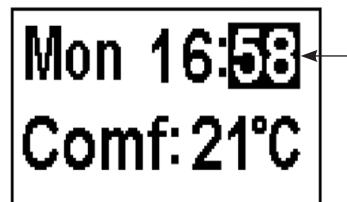
Week Days/ Time/ Comfort Temperature and Unit Setting

On activation it is recommended that the clock is reset to the correct time to ensure accuracy of the appliance operation.

Hold the **M** button for 3 seconds to enter the setting screen.

Press the '**<**' or '**>**' button to choose setting to change.

The selected character will be highlighted.



Press the '**+**' or '**-**' button to adjust the number.

Time: 24-hour system.
Select Comfort temperature from 15-25°C.
Temperature unit: °C/°F.

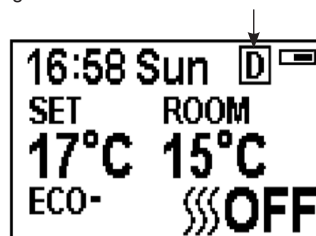
Press the button for 3 seconds or wait 10 seconds to save and exit the week, time and heating temperature setting.

Daily Timer Heating

The following heating periods have been preset, these can be altered if desired:

06:00 until 08:00
17:00 until 22:00

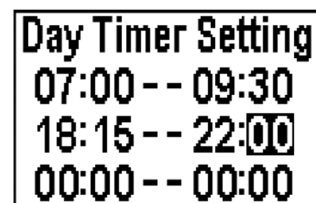
Press **M** until **D** shows at the upper right corner of the screen to enter the daily timer heating mode.




Hold the button for 6 seconds to enter the daily heating setting. A maximum of 3 timed heating periods can be set per day.

Press '**<**' or '**>**' to choose hour or minute.

Press '**+**' or '**-**' to set the number.
The minute increment / decrement by 15min per press.



Hold the  button for 3 seconds or wait for 10 seconds to save and exit the heating time period setting.

Check the timer setting. Press  to check the daily timer mode.

If the heating needs to be turned off, it will be necessary to go back to the Normal Control Mode to it turn off.

When in Daily Timer Mode switching the appliance off with the remote will stop the light output. The heat output will continue according to the timer settings.

Adjusting the Set Temperature

Press the '+' or '-' button to increase or decrease the temperature on the basis of COMF temperature.

COMF means the actual temperature is the same as setting.

ECO means the actual temperature is 2°C lower than the setting temperature.

ECO- means 4°C lower.


COMF+ means 2°C higher.

COMF++ means 4°C higher.

Adaptive start control

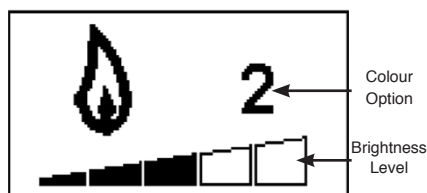
According to room temperature and set-pointed temperature, the heater will automatically determine the appropriate time to heat to ensure that it will reach the set-pointed temperature in the set time (up to 45 minutes prior to the set time).

Flame Colour Adjustment

Press  button to enter the flame adjustment screen.

There are 3 flame colour options, indicated by the number.

There are 6 levels of brightness, including off. This is indicated by the bar, with the blank bar indicating off.




Press the '<' or '>' button to cycle through the flame colour options.

Press the '+' button to increase the flame brightness.

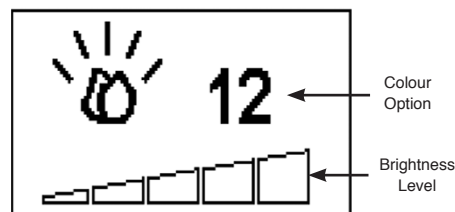
Press the '-' button to decrease the flame brightness until off.

Fuel Bed Colour Adjustment

Press  to enter the fuel bed light adjustment screen.

There are 14 fuel bed colour options, indicated by the number.

There are 6 levels of brightness, including off. This is indicated by the bar, with the blank bar indicating off.



Press the '<' or '>' button to cycle through the fuel bed colour options.

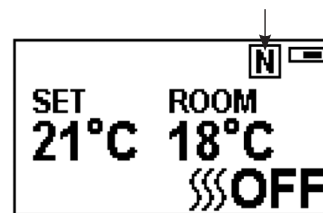
Press the '+' button to increase the fuel bed brightness.

Press the '-' button to decrease the fuel bed brightness until off.

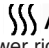
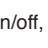
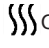
Normal Control Mode

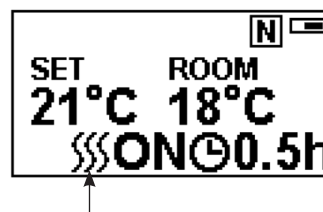
Normal Control Mode is the default setting.

Alternatively press  button until the  logo is shown at the upper right corner of the screen.



Press the '+' or '-' button to adjust the setting temperature from 17°C to 25°C.

Press  button to turn the heat on/off,  ON or  OFF will show at the lower right corner of the screen.




Note: It is normal for the fan heater to stop running for periods of time. This happens if the room temperature is higher than the temperature set on the control.

The heater indicator will be turned off after 10s if the flame is switched ON. The heater indicator will stay ON if only the heating function is used.

When in Normal Control Mode switching the appliance off with the remote will stop both the light and heat output.

Count Down Timer



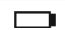
This setting is only in normal heating control mode. It allows the appliance to be returned to Standby after a set period of time. The heater must be switched on to use this function.

Press  to cycle through the setting from Off and 0.5 hours to 9 hours. Timer logo and remaining time will show on the screen.

The heater of appliance can be automatically run by using daily timer and weekly timer on the remote.

Battery

The battery power level is indicated at the top right of the remote control screen.

	Battery Full	No action required
	Battery Half Power	Ensure new batteries are available.
	Battery Empty	Replace batteries immediately

Battery replacement is recommended after 1 year. The Remote requires two 1.5V alkaline AAA batteries.

Changing the batteries will not affect the Timer Mode settings, however, the clock may need adjusting.

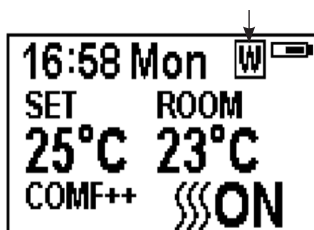
Week Timer Heating

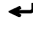
The following heating periods have been preset, these can be altered if desired:

From Monday to Friday
06:00 until 08:30
17:00 until 22:00

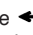
From Saturday to Sunday
06:30 until 09:30
11:00 until 13:00
17:00 until 22:00

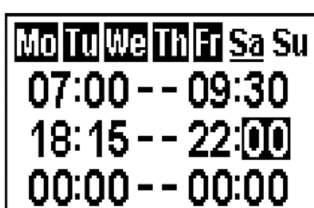
Press **M** until  shows at the upper right corner of the screen to enter the week heating mode.



Hold the  button for 6 seconds to enter the week timer heating mode setting.

Press '**<**' or '**>**' to move the cursor (a flashing underline).

Press the  button in the corresponding week position to select (the character is highlighted) or cancel (the character is displayed normally) the current setting, the same time period can be selected together.



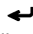
Press the '**>**' button to move the cursor to the time period setting area.

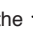
Press '**<**' or '**>**' button to choose hour or minute.


Press '**+**' or '**-**' to set the number.

A maximum of 3 timed heating periods can be set per day.

Minute increment / decrement by 15min per press.

Press  to set the heating time for the selected day and return to the week line.

Hold the  button for 3 seconds or wait for 10 seconds to save and exit the heating time period setting.

Press  '**<**' or '**>**' to check the timer setting for the week timer heating mode.

If the heating needs to be turned off, it will be necessary to go back to the Normal Control Mode to it turn off.

When in Weekly Timer Mode switching the appliance off with the remote will stop the light output. The heat output will continue according to the timer settings.

Adjusting the Set Temperature

Press the '**+**' or '**-**' button to increase or decrease the temperature on the basis of COMF temperature.

COMF means the actual temperature is the same as setting.

ECO means the actual temperature is 2°C lower than the setting temperature.

ECO- means 4°C lower.

COMF+ means 2°C higher.

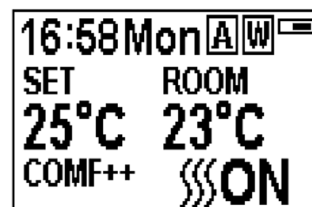
COMF++ means 4°C higher.

Adaptive start control

According to room temperature and set-pointed temperature, the heater will automatically determine the appropriate time to heat to ensure that it will reach the set-pointed temperature in the set time (up to 45 minutes prior to the set time).

Advance mode

The heating state can be advanced to the next period is under both the daily and week timer heating mode.



If the heater is on in the current period, pressing the button will turn the heater off.

If the heater is off in the current period, pressing the button will turn the heater on.

Whether the actual heating will be on/off also depends on the room temperature and setting temperature.

Press **[[[A** to enter the Advance mode under the daily and week timer heating mode, **A** will show at the upper right corner of the screen.

Press **[[[A** again or timer period ends will exit the Advance mode.


Window open detecting

When the transmitter detects a rapid drop in room temperature, it will be judged as an open window: the warning icon will be displayed and the heating will be turned off automatically.



After indoor temperature rise or manual intervention (by operating remote control), it will return to normal working state.

MAINTENANCE

 **IMPORTANT: THE OUTER PANELLING OF THE YEOMAN CL IS MADE FROM CAST IRON. USE CAUTION WHEN INSTALLING, REMOVING AND STORING AS THE COMPONENTS ARE HEAVY AND SHOULD BE HANDLED CAREFULLY.**

ALWAYS UNPLUG FROM MAINS SUPPLY BEFORE CLEANING OR UNDERTAKING ANY MAINTENANCE.

GENERAL CLEANING

Only clean the outer casing when it is cold. Do not use abrasive cleaners.

CLEANING FRONTS

Wipe the glass viewing panel with a damp cloth and buff with a lint free duster.

Caution: Do not use abrasive cleaners on the glass panel. Do not spray liquids directly onto any surface of the unit.

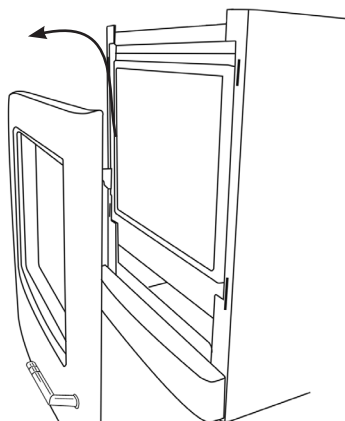
CLEANING THE FUEL EFFECT

To access the fuel effect it will be necessary to remove the glass viewing panel.

Ensure the appliance is unplugged.

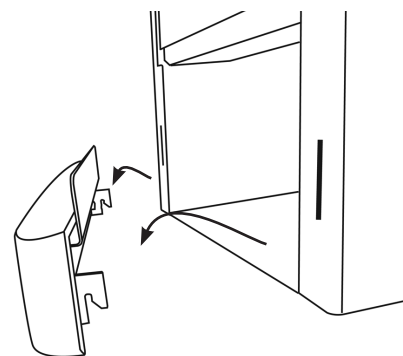
Remove the cast top and place carefully to one side.

Remove the main door casting to gain complete access to the viewing aperture by lifting the hooks clear of the slots on the front of the appliance.



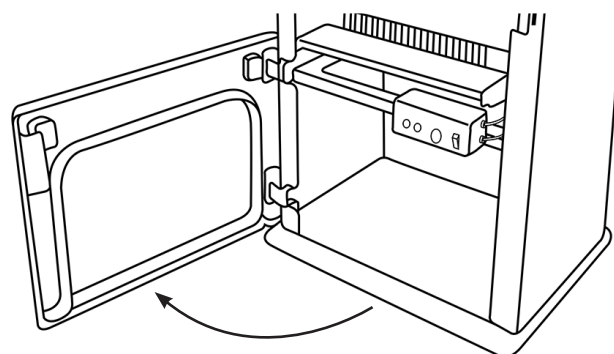
CL3, CL5 & CL8

Remove the plinth to access the controls by lifting the hooks clear of the slots on the front of the appliance.



CL5 MIDLINE & CL5 HIGHLINE

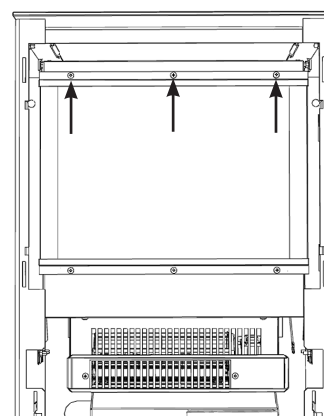
From the right hand side pull the lower door open.



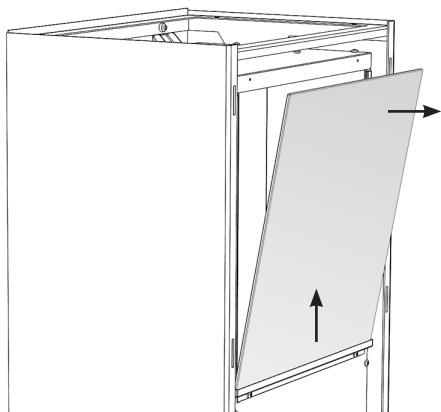
CL5 Midline & Highline

ALL MODELS

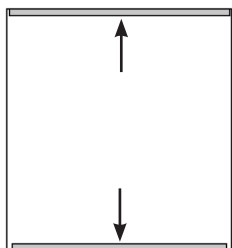
Remove the top 3 screws and bracket securing the front glass to the appliance. Take care to support the glass when removing the screws.



Carefully tip the glass forward and lift out of the bottom bracket to remove. Place carefully to one side.



Note: When refitting the glass ensure that the top and bottom glass seals are in position on the glass. The bottom seal may remain in the bottom bracket, if this occurs it will be necessary to carefully extract the seal and centrally reposition on the bottom of the glass before reinstalling.



The fuel effect can now be accessed.

Remove and wash the fuel effect to remove any dust particles. Alternatively clean with a lint free duster.

Ensure that the effect is dry before replacing.

Replace the fuel effect see Installation Instructions Section 4 for layout.

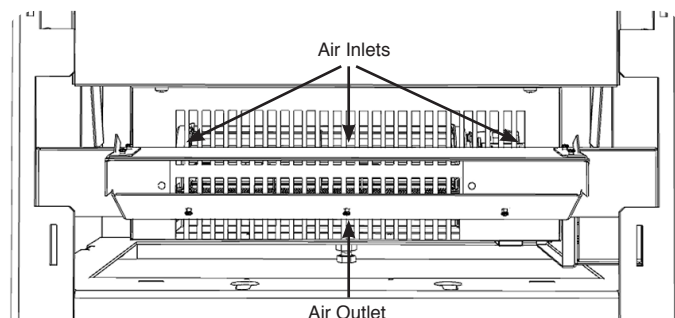
Replace in reverse order.

CLEANING AIR INLETS

Ensure the appliance is unplugged.

Clean the air inlet and outlet grilles regularly with a soft cloth or the nozzle of a vacuum cleaner.

Note: There are air inlets positioned between the inner and outer boxes, ensure that these are cleaned regularly.



Dust build-up can inhibit efficient performance of the fan and lead to the safety cut-out operating.

Keep the area around the appliance clean and free of fluff, dust or pet hair.

In particular, build-up of dust etc. can occur around the heater area. Take particular care to keep this area free from such particles on a regular basis to prevent build-up.

BATTERY REPLACEMENT

When the remote battery is low it must be changed immediately. Install correct replacement and dispose of the old battery carefully at an appropriate recycling facility.

IMPORTANT

CERTAINES PARTIES EXTERNES DE L'APPAREIL SONT CONSIDÉRÉES, PAR LE FABRICANT, COMME ÉTANT DES SURFACES DE TRAVAIL QUI DEVIENNENT CHAUDES LORSQUE LE CHAUFFAGE EST EN MARCHÉ. IL EST DONC FORTEMENT RECOMMANDÉ D'UTILISER UNE GARDE CONFORME À LA NORME BS 8423 (DERNIÈRE ÉDITION) EN PRÉSENCE DE JEUNES ENFANTS, DE PERSONNES ÂGÉES OU HANDICAPÉES.

LA GRILLE D'ÉVACUATION DU SYSTÈME DE CHAUFFAGE DEVIENT TRÈS CHAUDE LORS DU FONCTIONNEMENT. NE PAS COUVRIR LA GRILLE D'ÉVACUATION NI TOUTE AUTRE PARTIE DE L'APPAREIL.

Pour utilisation uniquement avec une alimentation électrique de 230V, 50Hz.

Veuillez lire ces instructions avec attention avant de procéder à l'installation, et les conserver en lieu sûr car vous en aurez besoin en cas de maintenance et de service.

CET APPAREIL DOIT ÊTRE RELIÉ À LA TERRE

CE PRODUIT NE PEUT ÊTRE UTILISÉ QUE DANS DES LOCAUX BIEN ISOLÉS OU DE MANIÈRE OCCASIONNELLE.

INFORMATIONS IMPORTANTES ET HYGIÈNE ET SÉCURITÉ

Lisez attentivement toutes les instructions avant d'utiliser l'appareil.

Les emballages doivent être jetés dans un centre de recyclage approprié.

Ne pas placer l'appareil immédiatement au-dessous d'une sortie fixe de prise.

Certaines parties externes de l'appareil sont considérées, par le fabricant, comme étant des surfaces de travail qui deviennent chaudes lorsque le chauffage est en marche. Vous devez utiliser une garde adéquate pour protéger les enfants, les personnes âgées et les infirmes.

Ne pas utiliser cet appareil à proximité immédiate d'une baignoire, d'une douche, d'une piscine ou de tout autre lieu où l'appareil risque d'être en contact avec l'eau.



ATTENTION: NE PAS RECOUVRIR!

ATTENTION: Ne pas recouvrir l'appareil ou boucher l'arrivée/ la sortie d'air car cela risque de provoquer la surchauffe de l'appareil. Veuillez noter le symbole d'avertissement sur l'appareil (voir ci-dessus).

Uniquement pour utilisation à l'intérieur. Cet appareil n'est pas adapté à une utilisation à l'extérieur de la maison.

Cet appareil doit reposer sur une surface plate et ferme, et non pas sur une moquette ou un tapis. Veiller à ce que l'ameublement, les rideaux, etc. ne soient pas à moins d'un mètre de l'appareil et l'appareil doit reposer sur une surface pouvant supporter des températures de 90° C pendant des périodes prolongées. Ne jamais poser un tapis à moins de 500 mm de la face du poêle.

Lorsque le câble d'alimentation électrique doit passer à travers une cheminée, un entourage en pierre, etc., le munir d'une bague en caoutchouc aux points de frottement possible.

En cas d'installation dans une cheminée ouverte, boucher le conduit de fumée de manière à réduire le risque de refoulement susceptible de provoquer le déclenchement du dispositif d'arrêt d'urgence.

Éloigner le câble d'alimentation électrique des surfaces chaudes et des zones à haute température. Ne pas faire passer le câble d'alimentation électrique devant l'appareil.

Une fois l'appareil installé, l'emplacement de la prise doit être accessible.

Si le câble d'alimentation électrique est endommagé, ne pas utiliser l'appareil jusqu'à ce qu'il ait été remplacé. Pour des questions de sécurité, le remplacement doit être effectué par la société Gazco, un agent de service Gazco ou bien par un électricien compétent.

ATTENTION : Afin d'éviter tout danger suite à une réinitialisation accidentelle de la coupure thermique, cet appareil ne doit pas être alimenté par un dispositif de commutation externe, comme un minuteur ou connecté à un circuit qui est régulièrement mis sous et hors tension par l'utilité.

Ne pas utiliser l'appareil s'il est endommagé.

Les réparations des appareils électriques ne doivent être effectuées que par un électricien. Si l'appareil ne fonctionne pas ou en cas de dommages, veuillez contacter le revendeur qui vous a livré l'appareil.

Cet appareil peut être utilisé par des enfants âgés de 8 ans et plus et par des personnes ayant des capacités physiques, sensorielles ou mentales réduites ou manquant d'expérience et de connaissances, si elles sont sous surveillance ou suivent les instructions relatives à l'utilisation de l'appareil de manière sûre et comprennent les risques inhérents. Les enfants de moins de 3 ans doivent toujours être tenus éloignés sauf s'ils sont constamment surveillés.

Les enfants entre 3 ans et 8 ans ne devront mettre sous/hors tension l'appareil que si ce dernier a été placé ou installé dans sa position d'utilisation normale prévue et sous surveillance ou en suivant les instructions relatives à l'utilisation de l'appareil de manière sûre et s'ils comprennent les risques inhérents. Les enfants entre 3 ans et 8 ans ne devront pas brancher, régler et nettoyer l'appareil ni l'entretenir.

Toutefois, Gazco recommande :

L'usage de cet appareil est déconseillé aux personnes de moins de 12 ans, aux personnes aux capacités intellectuelles, sensorielles ou physiques limitées ou aux personnes qui manquent d'expérience et de connaissance pour manipuler cet appareil en toute sécurité.

L'appareil peut être manipulé par des personnes de plus de 12 ans à condition qu'elles aient bien assimilé les consignes de sécurité de l'appareil et qu'elles ont compris les risques encourus. Les personnes âgées de plus de 12 ans peuvent aussi manipuler l'appareil sous la surveillance d'un adulte responsable.

Les pièces de cet appareil deviennent chaudes quand il est en marche et il ne faut en aucun cas laisser des personnes de moins de 12 ans sans surveillance avec le produit en marche à moins qu'un coupe-feu ne soit utilisé pour les empêcher d'entrer en contact direct avec l'appareil.

De ne pas laisser les enfants jouer avec l'appareil.

De ne pas laisser les enfants effectuer le nettoyage et l'entretien sans surveillance.

MODE D'EMPLOI



ATTENTION! Ne pas allumer l'appareil s'il est endommagé ou en cas de dysfonctionnement. Si vous pensez que l'appareil est endommagé ou en cas de dysfonctionnement, veuillez contacter un technicien de service qualifié pour inspecter l'appareil, et remplacer toutes pièces du circuit électrique si nécessaire avant de remettre en marche.

De ne pas débrancher l'appareil du secteur lorsque l'appareil fonctionne. Utilisez les fonctions de la télécommande pour arrêter le feu et veillez à ce que l'interrupteur d'alimentation soit placé sur la position arrêt avant de débrancher.

GÉNÉRALITÉS

L'appareil peut être commandé soit par la télécommande à infrarouges, soit par les commandes manuelles situées sur le côté droit de l'appareil (CL3, 5, & 8) ou derrière le panneau inférieur (CL5 Midline & Highline).



REMARQUE : Pour utiliser les fonctions de la télécommande et manuelles, l'interrupteur marche/arrêt manuel doit être sur la position 'ON'. Pour éviter une surchauffe du produit, il y a un délai de 10 s lors de la mise en marche de l'appareil de chauffage et un délai de 10 s lors de l'arrêt du ventilateur de l'appareil de chauffage.

Le bouton manuel commande les fonctions de base, pas toutes les commandes. Utilisez la télécommande pour exécuter toutes les commandes.

PRÉPARATION AVANT UTILISATION

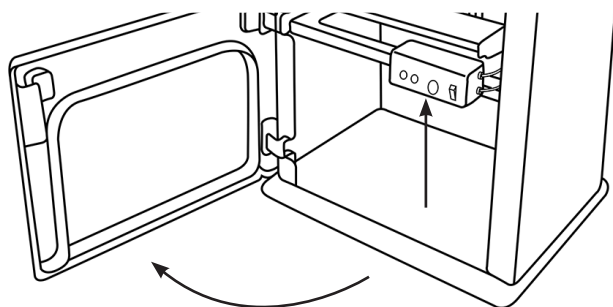
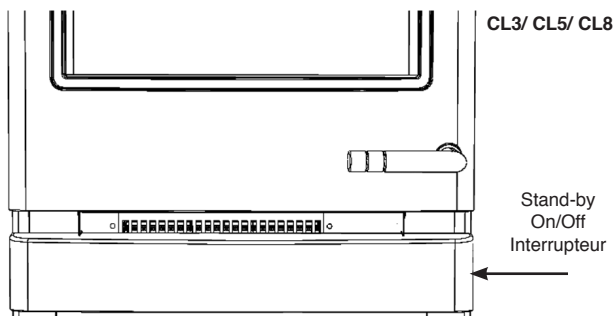
Piles:

Veiller à ce que les piles électriques de la télécommande soient neuves et insérées correctement.

Lors du remplacement des piles, veiller à disposer des vieilles piles conformément à la bonne pratique.

REMPACEMENT DE L'INTERRUPTEUR MARCHE/ARRÊT

L'interrupteur principal est situé sur le panneau de commande en bas à droite du poêle (CL3, 5, & 8) ou derrière le panneau inférieur (CL5 Midline & Highline).



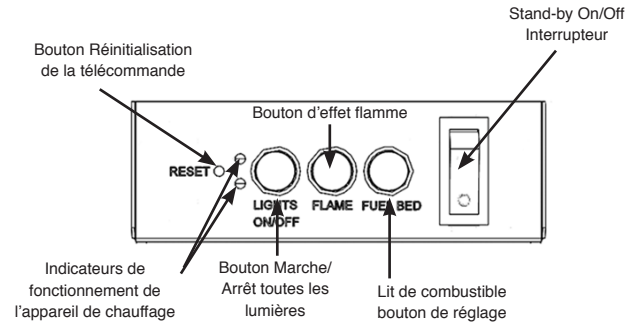
CL5 Midline & Highline

Mise en marche de l'appareil avec l'interrupteur d'alimentation sur la position marche '—'.

Un long bip retentit lorsque le feu est prêt à l'emploi.

PANNEAU DE COMMANDE MANUELLE

Les commandes manuelles se trouvent sur le panneau de commande situé sur le côté droit (CL3, 5, & 8) ou derrière le panneau inférieur (CL5 Midline & Highline).



Mise en marche de l'appareil avec l'interrupteur d'alimentation sur la position marche '—'. Un long bip retentira.

Appuyez sur « LIGHTS ON/OFF » pour allumer ou éteindre la flamme et le lit de combustible en même temps.

Il existe 3 options de couleur de flamme :

Appuyez sur le bouton « FLAME » pour sélectionner la couleur de la flamme ou retournez sur la position ARRÊT.

Il existe 14 types de lit de combustible :

Appuyez sur le bouton « FUEL BED » pour sélectionner la couleur du lit de combustible ou retournez sur la position ARRÊT.

Remarque : Les fonctions d'éclairage de l'appareil seront effacées lorsque l'interrupteur sera placé sur la position Arrêt ou si la télécommande est déchargée.

Indicateurs de fonctionnement de l'appareil de chauffage

Lorsque l'appareil de chauffage du ventilateur est utilisé avec les effets flamme ou lit de combustible, les indicateurs de fonctionnement de l'appareil de chauffage s'allumeront pendant 10 secondes.

Les LED s'allumeront pendant 10 secondes si l'effet flamme ou lit de combustible est Activé.

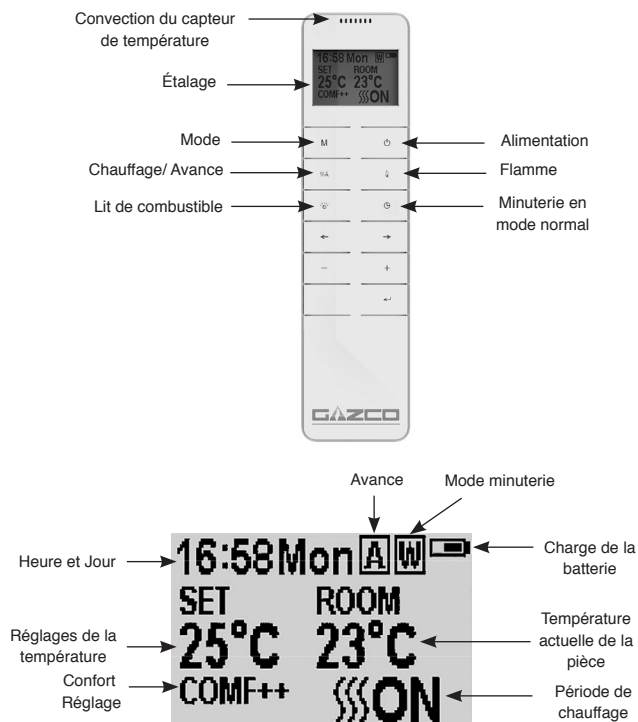
Si l'appareil de chauffage du ventilateur est utilisé indépendamment, les indicateurs de fonctionnement de l'appareil de chauffage resteront allumés.

Bouton Réinitialisation de la télécommande

Si le casque perd le signal ou doit être remplacé, veuillez consulter la Section réparation pour en savoir plus.

COMMANDES À DISTANCE

La télécommande doit être posée sur une surface plane dans la pièce où l'appareil est installé et loin du courant d'air chaud direct.



Code de signal


La télécommande fonctionne par signal radio. L'émetteur portatif est configuré en usine avec un code de signal unique.


IMPORTANT : Si le casque perd le signal ou doit être remplacé, veuillez consulter la Section réparation pour en savoir plus.

REMARQUE : la télécommande comporte un témoin de piles (coin supérieur droit) ; après un affichage prolongé de l'état vide, l'écran LED cessera de fonctionner même si la télécommande peut encore envoyer des commandes. Remplacer les piles pour rétablir l'affichage.

Mise sous/hors tension

Appuyez sur le  bouton pour activer l'effet flamme.

Appuyez sur le  bouton pour désactiver toutes les fonctions en mode de commande de chauffage normal y compris l'effet flamme et l'appareil de chauffage du ventilateur.

Appuyez sur le  bouton pour désactiver l'effet flamme en mode de chauffage minuté quotidien et hebdomadaire.

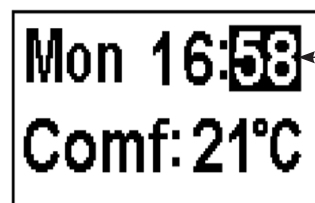
Réglage de l'unité et de la température de confort/Jours de la semaine/Heure

Lors de l'activation, il est recommandé de réinitialiser l'horloge à l'heure correcte pour assurer la précision du fonctionnement de l'appareil.

Maintenez le **M** bouton pressé pendant 3 secondes pour entrer dans l'écran de réglage.


Appuyez sur le bouton '←' ou '→' pour choisir le paramètre à changer.

Le caractère sélectionné sera mis en surbrillance.



Appuyez sur le bouton '+' ou '-' pour régler le nombre.

Heure : Système 24 heures.
Sélectionnez une température de confort entre 15-25°C.
Unité de température : °C/°F.

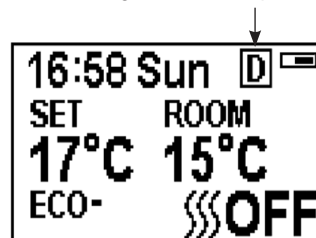
Appuyez sur le bouton  pendant 3 secondes ou attendez 10 secondes pour enregistrer et quitter le réglage de la semaine, heure et température.

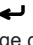
Chauffage à minuterie quotidienne

Les périodes de chauffage suivantes ont été prédéfinies, celles-ci peuvent être modifiées selon les besoins :

06:00 jusqu'à 08:00
17:00 jusqu'à 22:00

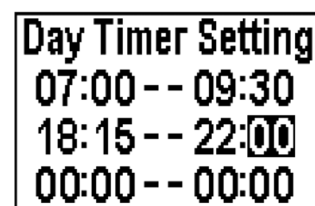
Appuyez sur **M** jusqu'à ce que **D** s'affiche en haut à droite de l'écran pour passer en mode de chauffage à minuterie quotidienne.




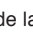
Maintenez le bouton  pressé pendant 6 secondes pour entrer dans le paramètre du chauffage quotidien. 3 périodes de chauffage minutées maximum peuvent par configurées par jour.

Appuyez sur '←' ou '→' pour choisir heure ou minute.

Appuyez sur '+' ou '-' pour régler le nombre. Les minutes augmentent / diminuent de 15 par pression.



Maintenez le bouton  pressé pendant 3 secondes ou attendez 10 secondes pour enregistrer et quitter le réglage de la période de chauffage.

Contrôlez le réglage de la minuterie. Appuyez sur  pour contrôler le mode minuterie quotidienne.

Si le chauffage doit être arrêté, il faudra revenir en arrière au Mode de commande normale pour l'arrêter.

Lorsque vous êtes en Mode minuterie quotidienne, l'arrêt de l'appareil avec la télécommande coupera la puissance calorifique. La puissance calorifique se poursuivra selon les réglages de la minuterie.

Réglage de la température définie

Appuyez sur le bouton '+' ou '-' pour augmenter ou réduire la température sur la base de la température COMF.

COMF signifie que la température actuelle est la même que le réglage.

ECO signifie que la température actuelle est 2°C inférieure à la température du réglage.

ECO- signifie 4°C inférieure.

COMF+ signifie 2°C supérieure.

COMF++ signifie 4°C supérieure.

Commande de mise en route adaptive

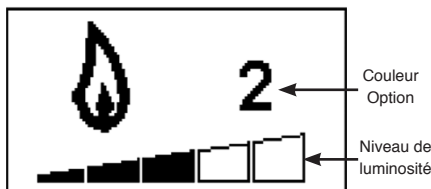
Selon la température de la pièce et la température définie, l'appareil de chauffage déterminera automatiquement l'heure appropriée à laquelle chauffer pour s'assurer qu'elle atteindra la température définie dans la durée définie (jusqu'à 45 minutes avant l'heure définie).

Ajustement de la couleur de la flamme

Appuyez sur le bouton pour entrer dans l'écran d'ajustement de la flamme.

Il y a 3 options de couleur de flamme, indiquées par le nombre.

Il y a 6 niveaux de luminosité, y compris arrêt. Ceci est indiqué par la barre, avec la barre vierge indiquant arrêt.



Appuyez sur le bouton '<' ou '>' pour parcourir les options de couleur de flamme.

Appuyez sur le bouton '+' pour augmenter la luminosité de la flamme.

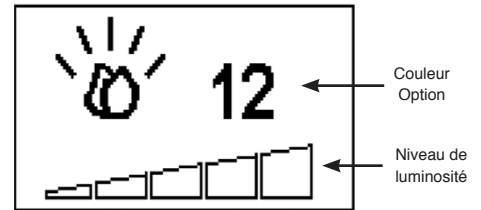
Appuyez sur le bouton '-' pour réduire la luminosité de la flamme jusqu'à l'éteindre.

Ajustement de la couleur du lit de combustible

Appuyez sur pour entrer dans l'écran d'ajustement de la lumière du lit de combustible.

Il y a 14 options de couleur de lit de combustible, indiquées par le nombre.

Il y a 6 niveaux de luminosité, y compris arrêt. Ceci est indiqué par la barre, avec la barre vierge indiquant arrêt.



Appuyez sur le bouton '<' ou '>' pour parcourir les options de couleur de lit de combustible.

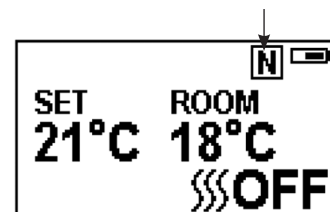
Appuyez sur le bouton '+' pour augmenter la luminosité du lit de combustible.

Appuyez sur le bouton '-' pour réduire la luminosité du lit de combustible jusqu'à l'éteindre.

Mode de commande normale

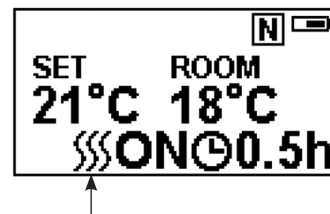
Le Mode de commande normale est le réglage par défaut.

Sinon appuyez sur le bouton **M** jusqu'à ce que le logo **N** s'affiche en haut à droite de l'écran.



Appuyez sur le bouton '+' ou '-' pour régler la température entre 17°C et 25°C.

Appuyez sur le bouton **A** pour mettre sous/hors tension l'appareil de chauffage, MARCHÉ ou ARRÊT s'affichera en bas à droite de l'écran.




Remarque : Il est normal que l'appareil de chauffage à ventilateur s'arrête de fonctionner pendant certaines durées. Ceci se produit lorsque la température de la pièce est supérieure à la température définie sur la commande.

L'indicateur de chauffage s'éteindra au bout de 10 s si la flamme est allumée. L'indicateur de chauffage restera allumé si seule la fonction chauffage est utilisée.

Lorsque vous êtes en Mode de commande normale, l'arrêt de l'appareil avec la télécommande coupera la puissance calorifique et la lumière.

Compte à rebours




Ce réglage est uniquement en mode de commande de chauffage normale. Il permet à l'appareil de revenir en mode de veille après un certain temps. L'appareil de chauffage doit être mis en marche pour utiliser cette fonction.

Appuyez sur  pour parcourir les réglages d'Arrêt et 0,5 heures à 9 heures. Le logo de la minuterie et le temps restant s'afficheront à l'écran.

Le chauffage de l'appareil peut être lancé automatiquement en utilisant la minuterie quotidienne et la minuterie hebdomadaire sur la télécommande.

Batterie

Le niveau de puissance de la batterie est indiqué en haut à droite de l'écran de la télécommande.

	Batterie chargée	Aucune action requise
	Batterie à moitié chargée	Veillez à avoir des piles neuves à disposition.
	Batterie déchargée	Changez immédiatement les piles

Un remplacement de la batterie est recommandé au bout de 1 an. La Télécommande a besoin de deux piles alcalines AAA 1,5V.


Le changement des piles n'affectera pas les réglages du Mode minuterie, toutefois, l'horloge devra peut-être être réglée.

Chauffage à minuterie hebdomadaire

Les périodes de chauffage suivantes ont été prédéfinies, celles-ci peuvent être modifiées selon les besoins :

Du lundi au vendredi
06:00 jusqu'à 08:30
17:00 jusqu'à 22:00


Du samedi au dimanche
06:30 jusqu'à 09:30
11:00 jusqu'à 13:00
17:00 jusqu'à 22:00

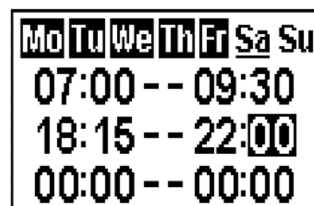
Appuyez sur **M** jusqu'à ce que  s'affiche en haut à droite de l'écran pour passer en mode de chauffage semaine.

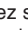


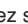

Maintenez le bouton  pressé pendant 6 secondes pour entrer dans le réglage du mode de chauffage à minuterie hebdomadaire.

Appuyez sur '' ou '' pour déplacer le curseur (un caractère de soulignement clignotant).

Appuyez sur le bouton  à la position semaine correspondante pour sélectionner (le caractère est en surbrillance) ou annuler (le caractère est affiché normalement) le réglage actuel, la même durée peut être sélectionnée.



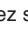
Appuyez sur le bouton '' pour déplacer le curseur dans la même zone de réglage de durée.


Appuyez sur le bouton '' ou '' pour choisir heure ou minute.

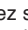
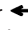
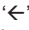
Appuyez sur '+' ou '-' pour régler le nombre.

3 périodes de chauffage minutées maximum peuvent par configurées par jour.

Les minutes augmentent / diminuent de 15 par pression.

Appuyez sur  pour définir l'heure de chauffage du jour sélectionné et retourner à la ligne semaine.

Maintenez le bouton  pressé pendant 3 secondes ou attendez 10 secondes pour enregistrer et quitter le réglage de la période de chauffage.

Appuyez sur  '' ou '' pour contrôler le réglage de la minuterie pour le mode de chauffage à minuterie hebdomadaire.

Si le chauffage doit être arrêté, il faudra revenir en arrière au Mode de commande normale pour l'arrêter.

Lorsque vous êtes en Mode minuterie hebdomadaire, l'arrêt de l'appareil avec la télécommande coupera la puissance calorifique. La puissance calorifique se poursuivra selon les réglages de la minuterie.

Réglage de la température définie

Appuyez sur le bouton '+' ou '-' pour augmenter ou réduire la température sur la base de la température COMF.

COMF signifie que la température actuelle est la même que le réglage.

ECO signifie que la température actuelle est 2°C inférieure à la température du réglage.

ECO- signifie 4°C inférieure.

COMF+ signifie 2°C supérieure.

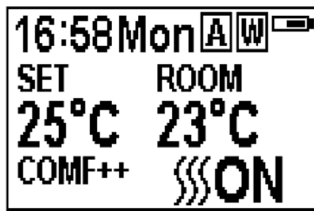
COMF++ signifie 4°C supérieure.

Commande de mise en route adaptative

Selon la température de la pièce et la température définie, l'appareil de chauffage déterminera automatiquement l'heure appropriée à laquelle chauffer pour s'assurer qu'elle atteindra la température définie dans la durée définie (jusqu'à 45 minutes avant l'heure définie).

Mode avance

L'état de chauffage peut être avancé à la période suivante en mode chauffage à minuterie hebdomadaire et quotidienne.



Si le chauffage est activé dans la période en cours, une pression sur le bouton désactivera le chauffage.

Si le chauffage est désactivé dans la période en cours, une pression sur le bouton activera le chauffage.

L'activation/désactivation du chauffage en cours dépendra également de la température de la pièce et du réglage.

Appuyez sur **SS A** pour passer en mode Avance sous le mode de chauffage à minuterie hebdomadaire et quotidienne, **A** s'affichera en haut à droite de l'écran.

Appuyez sur **SS A** à nouveau ou attendez la fin de la durée de la minuterie pour quitter le mode Avance.

Détection de fenêtre ouverte

Lorsque l'émetteur détecte une chute rapide de la température de la pièce, elle sera considérée comme une fenêtre ouverte : l'icône avertissement s'affichera et le chauffage sera automatiquement désactivé.



Une fois que la température ambiante aura remontée ou après une intervention manuelle (en utilisant la télécommande), il retournera à l'état de fonctionnement normal.

MAINTENANCE



IMPORTANT : LE PANNEAU EXTERNE DU YEOMAN CL EST FABRIQUÉ EN FONTE. PRENEZ LE PLUS GRAND SOIN LORS DE SON INSTALLATION, DE SON RETRAIT ET DE SON STOCKAGE, CAR LES COMPOSANTS SONT LOURDS ET DOIVENT ÊTRE MANIPULÉS SOIGNEUSEMENT.

TOUJOURS COUPER L'ALIMENTATION ÉLECTRIQUE PRINCIPALE AVANT D'ENTREPRENDRE LE NETTOYAGE OU L'EXÉCUTION DE LA MAINTENANCE.

GENERAL NETTOYAGE

Ne procéder au nettoyage du cadre externe que lorsqu'il est froid. Ne pas utiliser de nettoyeurs abrasifs.

NETTOYER LES FRONTS

Essuyer le panneau vitré d'observation avec un chiffon humide et le polir avec un chiffon non pelucheux.

Attention : ne pas utiliser de nettoyeurs abrasifs sur le panneau en verre. Ne pas projeter de liquide directement sur les surfaces de l'appareil.

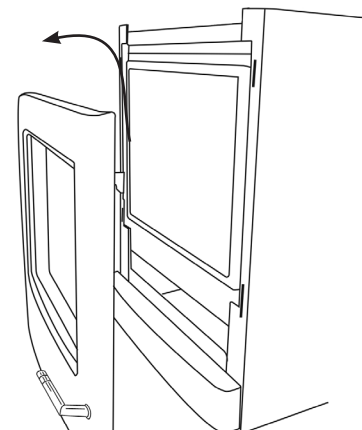
NETTOYAGE DE L'EFFET DE CARBURANT

Pour accéder à l'effet combustible, il est nécessaire de déposer la vitre de visualisation.

Couper l'alimentation électrique principale.

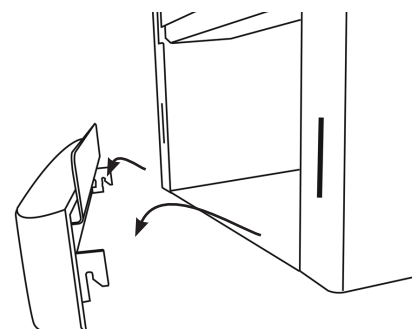
Retirer le dessus en fonte et le mettre soigneusement de côté.

Retirer le cadre en fonte pour accéder à l'ouverture d'observation en soulevant les crochets des encoches à l'avant de l'appareil.



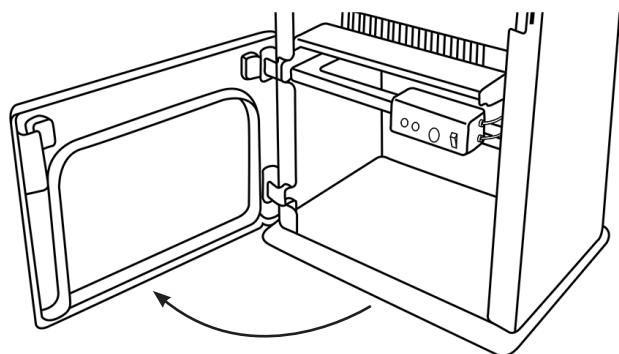
CL3, CL5 & CL8

Retirer le panneau en soulevant les crochets des encoches à l'avant de l'appareil.



CL5 MIDLINE & CL5 HIGHLINE

À partir du côté droit, tirez sur la porte inférieure pour l'ouvrir.

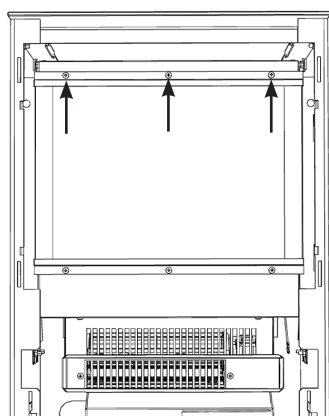


CL5 Midline & Highline

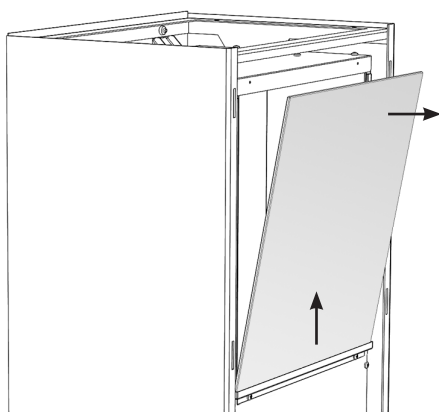
TOUS LES MODÈLES

Ôter les 3 vis supérieures et l'équerre fixant la plaque de verre frontale à l'appareil.

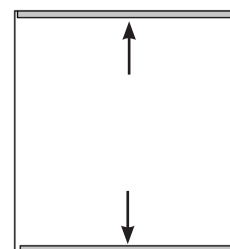
Veillez à bien soutenir la vitre lors du retrait des vis.



Faire basculer la vitre avec précaution et la soulever de l'équerre inférieure pour la retirer. Posez-la soigneusement sur un côté.



Remarque : Lors du remontage de la vitre, assurez-vous que les joints du verre supérieur et inférieur sont en place sur la vitre. Le joint inférieur peut rester dans le support du bas, si cela se produit, il sera nécessaire d'extraire soigneusement le joint et de le repositionner au centre sur le bas de la vitre avant de la réinstaller.



L'effet combustible est maintenant accessible.

Déposer et laver l'effet combustible pour éliminer toute particule de poussière. Autrement, le nettoyer avec un chiffon sans peluches. **Veiller à ce que l'effet soit sec avant de le remettre en place.**

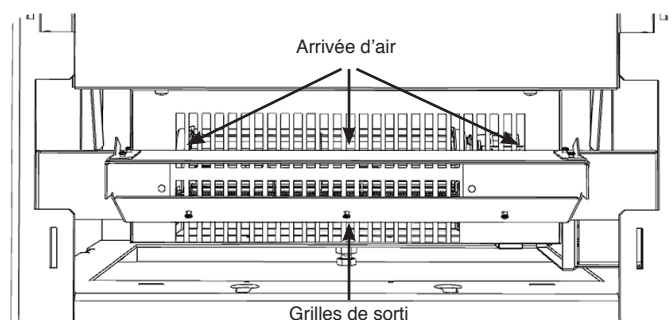
Lors du remplacement des effets combustibles, voir Installation, section, pour obtenir les instructions d'agencement.

Remonter dans l'ordre inverse.

NETTOYAGE DES ARRIVÉES D'AIR

Nettoyer l'arrivée d'air et les grilles de sortie régulièrement à l'aide d'un chiffon doux ou du bec d'un aspirateur.

Remarque : Il y a des entrées d'air entre les compartiments intérieur et extérieur, veillez à ce qu'elles soient nettoyées régulièrement.



L'accumulation de poussière réduit l'efficacité du ventilateur et peut provoquer le déclenchement du dispositif d'arrêt d'urgence.

Maintenir les alentours du poêle propres et libres de peluche, de poussière ou de poils d'animaux.

En particulier, l'accumulation de poussière etc. peut avoir lieu autour de la zone de chauffage sur le haut de l'appareil. Prendre particulièrement soin de maintenir cette surface libre de débris régulièrement pour éviter l'accumulation.

REPLACEMENT DES PILES ÉLECTRIQUES

Lorsque les piles électriques de la télécommande sont faibles, elles doivent être remplacées immédiatement. Installer les nouvelles piles correctement et disposer des piles usagées conformément à la bonne pratique.

BELANGRIJK

DELEN VAN DE BUITENBEHUIZING VAN DIT APPARAAT WORDEN DOOR DE FABRIKANT BESCHOUWD ALS EEN WERKOPPERVLAK DAT HEET WORDT WANNEER DE VERWARMER IS INGESCHAKELD. HET WORDT DAAROM AANBEVOLEN DAT ER EEN HAARDSCHERM, DAT VOLDOET AAN DE BS 8423 (LAATSTE EDITIE), WORDT GEBRUIKT IN DE AANWEZIGHEID VAN JONGE KINDEREN, OUDEREN OF MINDER VALIDEN.

DE GRILL VAN DE VERWARMINGSUITGANG WORDT ERG HEET TIJDENS DE WERKING. DEK DE UITGANGSGRILL OF EEN ONDERDEEL VAN HET APPARAAT NIET AF.

Voor het gebruik met een 230V 50Hz voeding.

Lees deze instructies vóór de installatie zorgvuldig door en berg het op een veilige plek op.

U zult deze nodig hebben wanneer er onderhoud op de haard uitgevoerd moet worden.

DIT APPARAAT MOET WORDEN GEAARD

DIT PRODUCT IS UITSLUITEND GESCHIKT VOOR GOED GEÏSOLEERDE PLAATSEN OF VOOR INCIDENTEEL GEBRUIK.

BELANGRIJKE INFORMATIE & VEILIGHEIDSVORSCHRIFTEN

Lees de hele handleiding zorgvuldig door, voordat het apparaat gebruikt wordt.

Verwijder al het verpakkingsmateriaal. De verpakking moet op de juiste manier tot afval verwerkt worden.

Plaats deze haard niet rechtstreeks onder een stopcontact.

Delen van de buitenbehuizing van dit apparaat worden door de fabrikant beschouwd als een werkoppervlak dat heet wordt wanneer de verwarmers is ingeschakeld. U dient een geschikt vuurscherm te gebruiken om kinderen, ouden van dagen en de lichamelijke zwakken.

Gebruik deze haard niet in de onmiddellijke nabijheid van een bad, douche of zwembad, of andere gebieden waar de haard met water in contact kan komen.



WAARSCHUWING! NIET BEDEKKEN

WAARSCHUWING Sta niet toe dat de haard afgedekt wordt of de luchtinlaat/afvoer verstopt kan raken omdat het apparaat dan kan oververhitten. Let op het waarschuwingssymbool op het apparaat (zie hierboven).

Alleen voor gebruik binnenshuis. Dit apparaat is niet geschikt voor gebruik buitenshuis.

Dit apparaat moet op een vlakke, stevige ondergrond geplaatst worden. De haard niet op een tapijt neerzetten. Zorg ervoor dat meubels, gordijnen, enz. niet dichterbij dan 1 meter bij het apparaat vandaan geplaatst worden en de haard staat op een ondergrond die gedurende langere tijd temperaturen van 90°C kan weerstaan. Geen kleedjes binnen 500mm van de voorkant van de haard plaatsen.

Wanneer de elektriciteitskabel door een haardstede, stenen omhulsel, enz. geleid moet worden, zorg er dan voor dat er geschikte rubberen bescherming aangebracht wordt op de punten waar slijtage kan optreden.

Indien de haard in een open haardstede geïnstalleerd wordt, sluit de schoorsteen dan af om het risico van tocht achter de haard te verminderen. Dit kan ertoe leiden dat de beveiliging de haard uitschakelt.

Houd het elektriciteits snoer uit de buurt van hete oppervlakten en voorwerpen. Laat hetelektricitessnoer niet langs de voorkant van het apparaat lopen.

Wanneer de haard geïnstalleerd is moet de stekker toegankelijk zijn.

Indien de elektriciteitskabel beschadigd is, gebruik het apparaat dan niet totdat het vervangen is. Om veiligheidsredenen moet Gazco, een Gazco servicebedrijf of een elektricien met een gelijksoortige ervaring de haard vervangen.

WAARSCHUWING: Om een gevaar veroorzaakt door het onachtzaam resetten van de thermische beveiliging te voorkomen, mag dit toestel niet worden gevoed door een extern schakelapparaat, zoals een timer, en niet worden aangesloten op een circuit dat geregeld wordt aan- en uitgeschakeld door de utiliteit.

Het apparaat niet gebruiken als het beschadigd is.

Reparatie van elektrische apparatuur mag alleen door een elektricien uitgevoerd worden. Mocht het apparaat niet functioneren, of in geval van schade, kunt u contact opnemen met de winkel waar het apparaat gekocht is.

Dit toestel kan worden gebruikt door kinderen van 8 jaar en ouder en door personen met verminderd lichamelijk, zintuiglijk of mentaal vermogen of met gebrek aan ervaring en kennis indien onder toezicht of met instructies betreffende het veilig gebruiken van het toestel en met kennis van mogelijke gevaren. Buiten bereik van kinderen onder de 3 jaar houden tenzij onder constant toezicht.

Kinderen tussen de 3 en 8 jaar mogen alleen het toestel aan-/uitschakelen ervan uitgaande dat deze is geplaatst of geïnstalleerd in zijn bedoelde normale werkpositie en onder toezicht of met instructies betreffende het veilig gebruiken van het toestel en met kennis van mogelijke gevaren. Kinderen tussen de 3 en 8 jaar mogen het toestel niet aansluiten, reguleren en schoonmaken of onderhoud uitvoeren.

Echter adviseert Gazco:

Dit apparaat is niet geschikt voor gebruik door personen jonger dan 12 jaar, personen met beperkte lichamelijke, sensorische of geestelijke vermogens of personen met gebrek aan ervaring en kennis over de veilige bediening van het apparaat.

Het apparaat kan worden bediend door personen vanaf 12 jaar onder voorwaarde dat zij zijn geïnstrueerd in het veilige gebruik van het apparaat en hebben begrepen wat de mogelijke gevaren zijn. Personen vanaf 12 jaar mogen het apparaat bedienen onder toezicht van een verantwoordelijke volwassene.

Delen van dit apparaat worden heet tijdens de werking en personen jonger dan 12 jaar mogen nooit alleen worden gelaten met het apparaat wanneer dit aan staat tenzij een geschikt brandscherm wordt gebruikt om hen te beschermen tegen mogelijk rechtstreeks contact met het apparaat.

Kinderen mogen niet spelen met het toestel.

Schoonmaken en gebruiksonderhoud mag niet worden uitgevoerd door kinderen zonder toezicht.

BEDIENINGSINSTRUCTIES



WAARSCHUWING! Het apparaat niet gebruiken als het beschadigd of defect is. Als u vermoedt dat het apparaat beschadigd of defect is neem dan contact op met een bevoegde elektricien om het apparaat te laten inspecteren en, indien nodig, om delen van het elektrische systeem te laten vervangen voordat het opnieuw gebruikt wordt.

Koppel de stroom bij de netvoeding niet los terwijl het toestel draait. Gebruik de functies op de afstandsbediening om het vuur uit te schakelen en controleer of de hoofdschakelaar op de uit-positie staat vóór het loskoppelen.

ALGEMEEN

Het apparaat kan worden bediend met de radiofrequente afstandsbediening bevindt zich op het bedieningspaneel aan de rechterkant (CL3, 5, & 8) of achter de onderste deur (CL5 Midline & Highline).



OPMERKING: Om zowel afstandsbediening als handmatige functies te gebruiken, moet de handmatige AAN/UIT-schakelaar in de AAN-positie staan. Om te voorkomen dat het product te heet wordt, is er 10s vertraging wanneer de verhitter wordt ingeschakeld en 10s vertraging wanneer de luchtverhitter wordt uitgeschakeld.

De handmatige basisfuncties met knopbediening, niet alle bedieningsmogelijkheden. Gebruik de bedieningstelefoon om alle functies te kunnen uitvoeren.

VOORBEREIDING VOOR HET GEBRUIK

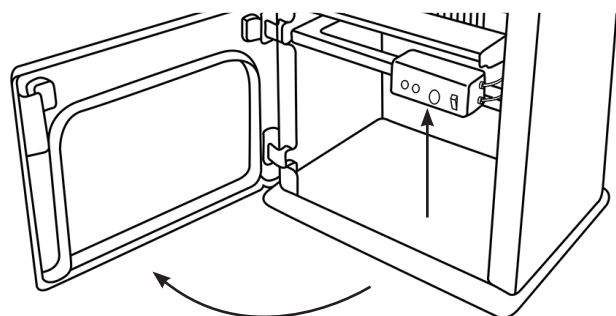
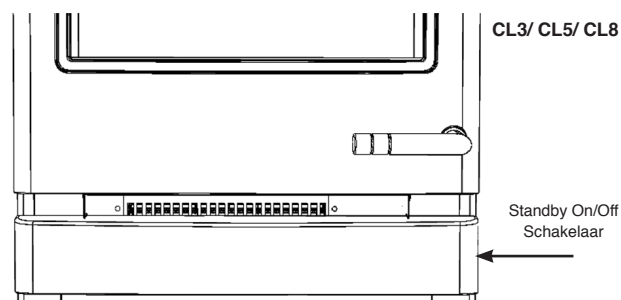
Batterijen:

Zorg ervoor dat de batterijen nieuw zijn en op de juiste manier geplaatst zijn.

Wanneer u de batterijen vervangt, dient u ervoor te zorgen dat de gebruikte batterijen op de juiste manier tot afval worden verwerkt.

LOCATIE VAN DE BEDIENING

De hoofdschakelaar bevindt zich op het bedieningspaneel aan de rechterkant (CL3, 5, & 8) of achter de onderste deur (CL5 Midline & Highline & Highline).



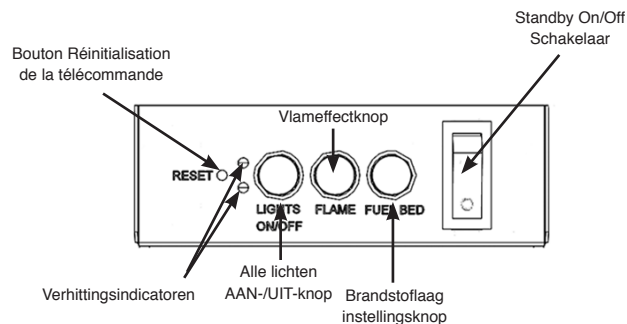
CL5 Midline & Highline

Het toestel aanzetten met de hoofdschakelaar in de '—'-positie.

Men hoort een lange piep dat aangeeft dat het vuur klaar voor gebruik is.

HANDMATIG BEDIENINGSPANEEL

De handmatige bediening op het apparaat bevindt zich op het bedieningspaneel aan de rechterkant.



Het toestel aanzetten met de hoofdschakelaar in de '—'-positie. Men hoort een lange piep.

Druk op "LICHTEN AAN/UIT" om de vlam en het vuurbed tegelijkertijd in of uit te schakelen.

Er zijn 3 vlam-kleuropties:

Druk op de "VLAM"-knop om de kleur van de vlam te selecteren of terug te keren naar de UIT-positie.

Er zijn 14 types vuurbed:

Druk op de "VUURBED"-knop om de kleur van het vuurbed te selecteren of terug te keren naar de UIT-positie.

Opmerking: Het toestel zal het geheugen voor lichtfuncties verliezen wanneer de schakelaar op de UIT-positie staat of de afstandsbediening leeg is.

Verwarmingsindicatoren

Wanneer de luchtverhitter wordt gebruikt in combinatie met de vlam of met vuurbedeffecten zullen de verwarmingsindicatoren voor 10 seconden oplichten.

De LED's zullen voor 10 seconden oplichten als de vlam of het vuurbedeffect AAN is.

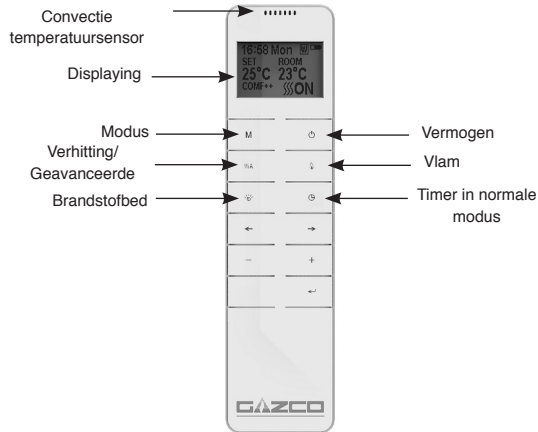
Als de luchtverhitter onafhankelijk wordt gebruikt, zullen de verwarmingsindicatoren aan blijven.

Knop voor afstandsbediening resetten

Als de telefoon signaal verliest of moet worden vervangen, zie Onderhoudssectie voor meer informatie.

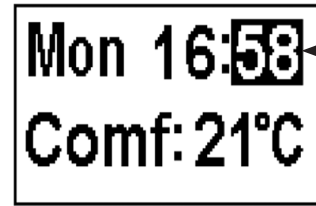
AFSTANDSBEDIENINGEN

De afstandsbediening moet worden bewaard op een vlak oppervlak in de kamer waar het toestel is geïnstalleerd en weg van enige directe hete luchtstroom.



Druk op de '←' of de '→' -knop om de te wijzigen instelling te kiezen.

Het geselecteerde kenmerk wordt gemarkeerd.



Druk op de '+' of '-' knop om de waarde aan te passen.

Tijd: 24-uurssysteem.
Selecteer comforttemperatuur tussen 15-25°C.
Temperatuureenheid: °C/°F.

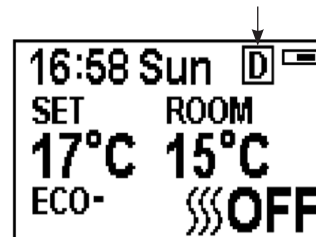
Druk op de ⏪ -knop voor 3 seconden of wacht 10 seconden om op te slaan en de week-, tijd- en verwarmingstemperatuurinstelling te verlaten.

Dagelijkse verwarmingstimer

De volgende verwarmingsperiodes zijn ingesteld; deze kunnen indien gewenst worden aangepast:

06:00 tot 08:00
17:00 tot 22:00

Houd **M** ingedrukt tot **D** er rechtsbovenaan op het scherm toegang tot de dagelijkse verwarmingstimermodus verschijnt.

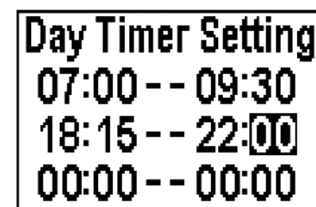


Houd de ⏪ -knop voor 6 seconden ingedrukt voor toegang tot de dagelijkse verwarmingstimerinstelling.

Een maximum van 3 verwarmingsperiodes per dag kan worden ingesteld.

Druk op '←' of '→' om uur of minuut te kiezen.

Druk op '+' of '-' om de waarde in te stellen.
De minuuttoename/-afname per 15 min per keer drukken.

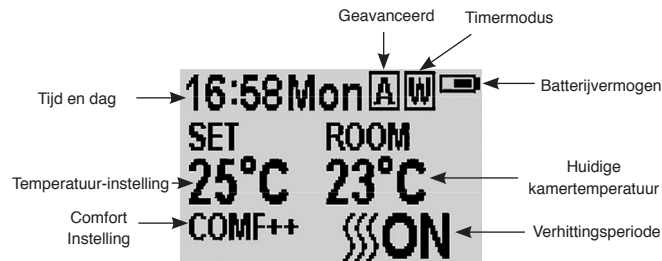


Houd de ⏪ -knop voor 3 seconden ingedrukt of wacht 10 seconden om op te slaan en de verwarmingstijdperiodeinstelling te verlaten.

Controleer de timerinstelling. Druk op ⏪ om de dagelijkse timermodus te controleren.

Als de verwarming moet worden uitgeschakeld, is het noodzakelijk om terug te gaan naar de normale bestuursmodus.

Als het toestel in de dagelijkse timermodus wordt uitgeschakeld met de afstandsbediening, zal de lichtuitvoer worden gestopt. De hitteuitvoer zal doorgaan afhankelijk van de timerinstellingen.



Signaalcode

De afstandsbediening werkt op radiosignaal.
De handzender is in de fabriek ingesteld met een unieke signaalcode.

BELANGRIJK: Als de telefoon signaal verliest of moet worden vervangen, zie Onderhoudssectie voor meer informatie.

OPMERKING: De afstandsbediening heeft een batterijstatusindicator (rechtsboven in de hoek), na een lange periode van lege weergave zal het LED-scherm niet meer werken, ondanks dat de handset nog steeds opdrachten kan verzenden.
Vervang de batterijen om het display te herstellen.

Schakel in/uit

Druk op de knop om het vlameffect in te schakelen.

Druk op de knop om alle functies uit te schakelen onder de normale verwarmingsbestuursmodus, inclusief vlameffect en luchtverhitter.

Druk op de knop om het vlameffect onder de dagelijkse of wekelijkse timingverhittermodus uit te schakelen.

Week Dagen / Tijd / Comforttemperatuur en Eenheidsinstelling

Bij activatie wordt aangeraden om de klok te resetten naar de juiste tijd om juistheid van werking van het apparaat te garanderen.

Houd de **M** knop voor 3 seconden ingedrukt om naar het instellingscherm te gaan.

De ingestelde temperatuur aanpassen

Druk op de '+'- of '-'-knop om de temperatuur op basis van de COMF-temperatuur te laten toe- of afnemen.

COMF geeft aan dat de huidige temperatuur gelijk is aan de ingestelde.

ECO geeft aan dat de huidige temperatuur 2°C lager is dan de ingestelde temperatuur.

ECO- betekent 4°C lager.


COMF+ betekent 2°C hoger.

COMF++ betekent 4°C hoger.

Aanpasbare startbesturing

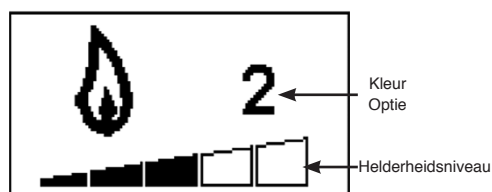
Overeenkomstig met de kamertemperatuur en de gewenste temperatuur, bepaalt de verwipper automatisch de geschikte opwarmtijd om te garanderen dat het de gewenste temperatuur bereikt binnen de ingestelde tijd (tot 45 minuten voor de ingestelde tijd).

Aanpassen vlamkleur

Druk op de -knop voor toegang tot het vlamaanpassingsscherm.

Er zijn 3 vlamkleuropties, aangegeven door de getoonde waarde.

Er zijn 6 helderheidsniveau's, inclusief 'uit'. Dit wordt aangegeven door de balk met de witte balk die 'uit' aangeeft.




Druk op de '<' of de '>'-knop om door de vlamkleuropties te gaan.

Druk op de '+'-knop om de vlamhelderheid te verhogen.

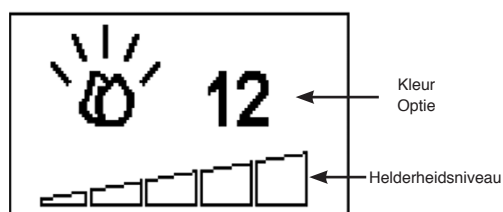
Druk op de '-'-knop om de vlamhelderheid te verlagen tot deze uit is.

Aanpassen vuurbedkleur

Druk op  voor toegang tot het scherm voor aanpassen vuurbedkleur.

Er zijn 14 vuurbedkleuropties, aangegeven door de getoonde waarde.

Er zijn 6 helderheidsniveau's, inclusief 'uit'. Dit wordt aangegeven door de balk met de witte balk die 'uit' aangeeft.



Druk op de '<' of de '>'-knop om door de vuurbedkleuropties te gaan.

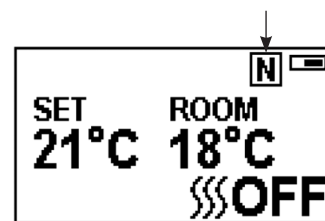
Druk op de '+'-knop om de vuurbedhelderheid te verhogen.

Druk op de '-'-knop om de vuurbedhelderheid te verlagen tot deze uit is.


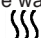

Normale besturingsmodus

De normale besturingsmodus is de standaardinstelling.

Houd als alternatief de **M** knop ingedrukt tot het **N** logo rechts bovenaan het scherm verschijnt.



Druk op de '+' of '-'-knop om de temperatuurstelling van 17°C tot 25°C aan te passen.

Druk op de  **A** knop om de warmte aan/uit te schakelen; in de rechter onderhoek van het scherm zal  AAN of  UIT worden getoond.




Opmerking: Het is gebruikelijk dat de luchtverhitter stopt met draaien gedurende tijdsperiodes. Dit gebeurt als de kamertemperatuur hoger is dan de ingestelde temperatuur op de bediening.

De verwarmingsindicator wordt uitgeschakeld na 10s als de vlam AAN staat. De verwarmingsindicator blijft AAN als enkel de verwarmingsfunctie wordt gebruikt.

Als in de normale bedieningsmodus het toestel met de afstandsbediening wordt uitgeschakeld, zullen zowel de licht- als warmteproductie stoppen.

Aftellingstimer



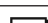
Deze instelling bestaat alleen in de normale bedieningsmodus bij verwarming. Dit maakt het mogelijk om het toestel in stand-by te zetten na een ingestelde tijdsperiode. De verwipper moet ingeschakeld zijn om deze functie te kunnen gebruiken.

Druk op  om door de instelling te gaan van UIT en 0.5 uur tot 9 uur. Timerlogo en resterende tijd worden op het scherm getoond.

De verwarming van het toestel kan automatisch werken door de dagelijkse timer en de wekelijkse timer op de afstandsbediening te gebruiken.

Batterij

Het batterijniveau wordt aangegeven rechtsbovenin op het afstandbedieningsscherm.

	Volle batterij	Geen handeling vereist
	Halfvolle batterij	Controleer of nieuwe batterijen aanwezig zijn.
	Lege batterij	Vervang batterijen onmiddellijk

Vervanging van batterij na 1 jaar wordt aangeraden. De afstandsbediening heeft twee 1.5V alkaline AAA-batterijen nodig.

Het vervangen van de batterijen beïnvloedt de timermodusinstellingen niet, maar misschien zal de klok moeten worden gelijk gezet.

Verhitting wekelijkse timer

De volgende verhittingsperiodes zijn ingesteld; deze kunnen worden gewijzigd indien gewenst:

Van maandag tot vrijdag
06:00 tot 08:30
17:00 tot 22:00

Van zaterdag tot zondag
06:30 tot 09:30
11:00 tot 13:00
17:00 tot 22:00

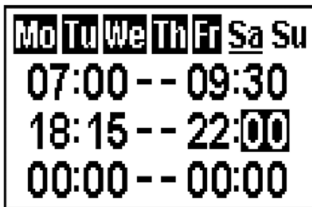
Druk op **M** tot **W** wordt getoond rechtsbovenin in het scherm voor toegang tot de wekelijkse verhittingsmodus.



Houd de **←**-knop voor 6 seconden ingedrukt voor toegang tot de instelling voor wekelijkse timer voor verhittingsmodus.

Druk op '**←**' of '**→**' om de cursor (een knipperende onderstreep) te bewegen.

Druk op de **←**-knop in de corresponderende weekpositie om de huidige instelling te selecteren (het kenmerk wordt gemarkeerd) of te annuleren (het kenmerk wordt normaal weergegeven); dezelfde tijdsperiode kan tegelijk worden geselecteerd.



Druk op de '**→**'-knop om de cursor naar het instellingsgebied van de tijdsperiode te bewegen.

Druk op de '**←**' of de '**→**'-knop om uur of minuut te bepalen.

Druk op '+' of '-' om de waarde te bepalen.

Een maximum van 3 verhittingsperiodes per dag kan worden ingesteld.

Verhoging/verlaging van minuut per 15min per druk op de knop.

Druk op **←** om de verhittingstijd voor de geselecteerde dag in te stellen en terug te keren naar de weeklijn.

Houd de **←**-knop voor 3 seconden ingedrukt of wacht 10 seconden om op te slaan en de verhittingstijdperiodeinstelling te verlaten.

Druk op **←** '**←**' of op '**→**' om de timerinstelling voor de verhittingsmodus van de weektimer te controleren.

Als de verhitting moet worden uitgeschakeld, is het noodzakelijk om terug te gaan naar de normale bestuursmodus.

Als in de wekelijkse timermodus het toestel door de afstandsbediening wordt uitgeschakeld, zal de lichtuitvoer stoppen. De hitteuitvoer zal doorgaan afhankelijk van de timerinstellingen.

De ingestelde temperatuur aanpassen

Druk op de '+'- of '-'-knop om de temperatuur op basis van de COMF-temperatuur te laten toe- of afnemen.

COMF geeft aan dat de huidige temperatuur gelijk is aan de ingestelde.

ECO geeft aan dat de huidige temperatuur 2°C lager is dan de ingestelde temperatuur.

ECO- betekent 4°C lager.

COMF+ betekent 2°C hoger.

COMF++ betekent 4°C hoger.

Aanpasbare startbesturing

Overeenkomstig met de kamertemperatuur en de gewenste temperatuur, bepaalt de verhitser automatisch de geschikte opwarmtijd om te garanderen dat het de gewenste temperatuur bereikt binnen de ingestelde tijd (tot 45 minuten voor de ingestelde tijd).

Geavanceerde modus

De verhittingstoestand kan worden verlengd tot de volgende periode bij zowel de dagelijkse als wekelijkse timerverhittingsmodus.



Als de verhitser aan is tijdens de huidige periode, zal op de knop drukken de verhitser uitschakelen.

Als de verhitser uit is tijdens de huidige periode, zal op de knop drukken de verhitser inschakelen.

Of de huidige verhitting aan/uit is hangt ook af van de kamertemperatuur en de ingestelde temperatuur.

Druk op **SSS A** voor toegang tot de geavanceerde modus onder de dagelijkse en wekelijkse timerverhittingsmodus, **A** die zal worden getoond rechtsbovenin het scherm.

Druk **SSS A** nogmaals of de timerperiode zal de geavanceerde modus beëindigen.

Detecteren van open raam

Als de zender een sterke daling in kamertemperatuur waarneemt, zal dit worden opgevat als een open raam: het waarschuwingsicoon zal worden weergegeven en de verhitser zal automatisch worden uitgeschakeld.



Na stijging van de binnentemperatuur of door handmatige ingreep (door de afstandsbediening te bedienen), zal het toestel terugkeren naar normaal functioneren.

ONDERHOUD



BELANGRIJK: DE BUITENSTE LAMBRISERING VAN DE YEOMAN CL IS GEMAAKT UIT GIETIJZER. WEES VOORZICHTIG BIJ HET INSTALLEREN, VERWIJDEREN EN OPSLAAN AANGEZIEN DE ONDERDELEN ZWAAR ZIJN EN VOORZICHTIG BEHANDELD MOETEN WORDEN.

DE STEKKER ALTIJD UIT HET STOPCONTACT HALEN VOORDAT ER REINIGINGS WERZAAMHEDEN OF ONDERHOUDSWERKZAAMHEDEN UITGEVOERD WORDEN.

REINIGING

De buitenkant alleen schoonmaken wanneer deze koud is. Geen schurende reinigingsmiddelen gebruiken.

REINIGING VOORZIJDEN

Maak het kijkvensterpaneel schoon met een vochtige doek en veeg af met een pluivrije stofdoek.

Waarschuwing: Geen schurende reinigingsmiddelen op het glaspaneel gebruiken. Spuit geen vloeistoffen rechtstreeks op het oppervlak van de unit spuiten.

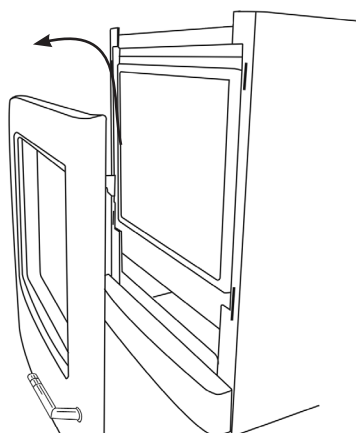
HET SCHOONMAKEN VAN DE BRANDSTOF EFFECT

Om het brandstofeffect te openen, is het nodig om het glazen kijkpaneel te verwijderen.

Zorg ervoor dat de stekker niet meer in het stopcontact steekt.

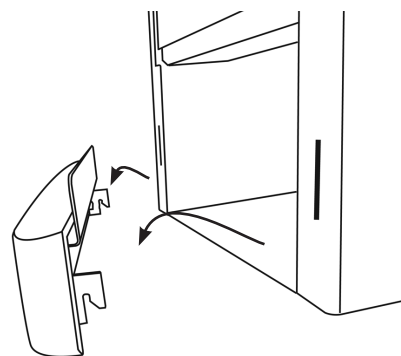
Verwijder het gietijzeren bovenblad en zet het voorzichtig naar één kant.

Verwijder het gietijzeren frame om toegang te krijgen tot de kijkopening door de haken uit de sleuven aan de voorkant van het apparaat te tillen.



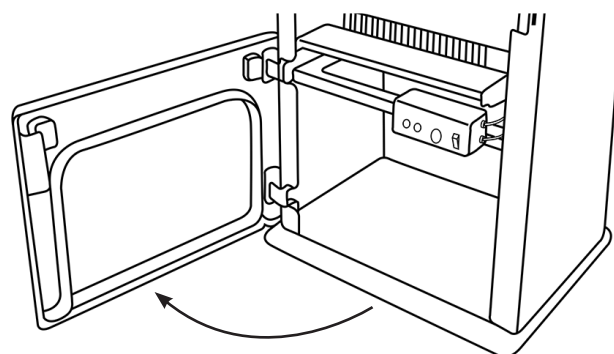
CL3, CL5 & CL8

Verwijder de sokkel door de haken van de gleuven aan de voorzijde van het apparaat te tillen.



CL5 MIDLINE & CL5 HIGHLINE

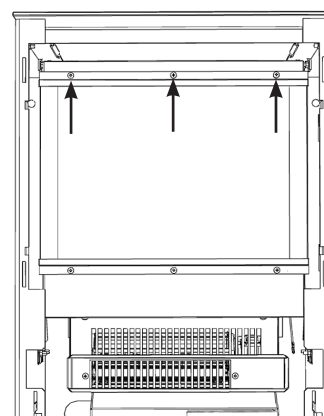
Trek de onderste deur open aan de rechterkant.



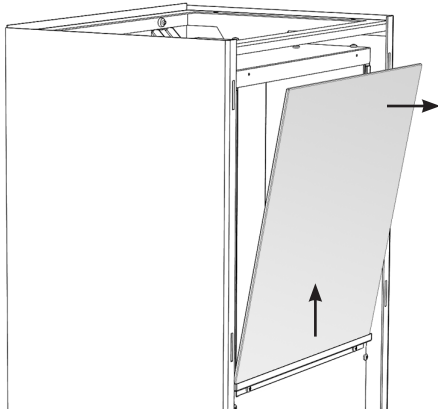
CL5 Midline & Highline

ALLE MODELLEN

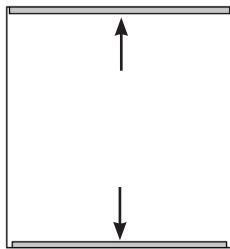
Verwijder de bovenste 3 schroeven en beugel waarmee de voorruit aan het apparaat is bevestigd. Let op dat u het glas ondersteunt bij het verwijderen van de schroeven.



Kantel het glas voorzichtig naar voren en til het uit de onderste beugel om het te verwijderen. Plaats voorzichtig aan één kant.



Opmerking: Wanneer u het glas opnieuw aanbrengt, zorg er dan voor dat de bovenste en onderste afdichtingen correct op het glas gepositioneerd zijn. De onderste afdichting kan in de onderhaak blijven zitten, als dit zich voordoet, moet de afdichting voorzichtig worden verwijderd en opnieuw worden gepositioneerd, centraal op de onderkant van het glas, alvorens opnieuw te installeren.



Er is nu toegang tot het brandstofeffect.

Verwijder en was het brandstofeffect om stofdeeltjes te verwijderen. Kan ook met een lintvrije duster worden gereinigd.

Zorg ervoor dat het effect droog is, voordat deze wordt teruggeplaatst.

Vervang het brandstofeffect, zie Installatieinstructies Sectie 4 voor schema.

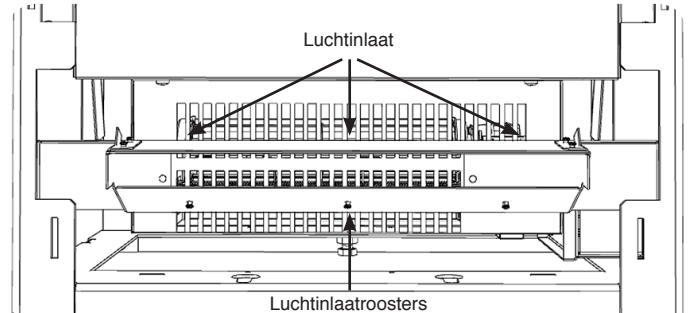
Herplaats alles weer in omgekeerde volgorde.

LUCHTINLATEN REINIGEN

Zorg ervoor dat de stekker niet meer in het stopcontact steekt.

Maak de luchtinlaat en de luchtinlaatroosters regelmatig met een zachte doek of het mondstuk van een stofzuiger schoon.

Opmerking: Er zijn luchtinlaten voorzien tussen de binnen- en buitenboxen, zorg ervoor dat deze regelmatig worden schoongemaakt.



Opgehoopt stof zal het vrijelijk bewegen van de ventilator beperken en kan ertoe leiden dat het beveiligingsmechanisme in werking treedt.

Houd het gebied rond de haard schoon en vrij van pluïsjes, stof of haren van huisdieren.

Stof enz. kan zich vooral verzamelen rond het verwarmingsgebied bovenaan het apparaat. Zorg er regelmatig voor dat dit gebied geen van deze stofdeeltjes bevat, zodat een opeenhoping voorkomen wordt.

BATTERIJEN VERVANGEN

Wanneer de externe batterij laag is, moet ze onmiddellijk worden vervangen. Installeer de vervangingsbatterij correct en gooi de oude batterij weg bij een recyclingbedrijf.

IMPORTANTE

ALCUNE PARTI DELL'INVOLUCRO ESTERNO DELL'APPARECCHIO SONO CONSIDERATE DAL PRODUTTORE SUPERFICI DI LAVORO CHE SI SCALDANO ALL'ACCENSIONE DEL RISCALDATORE. SI RACCOMANDA QUINDI DI USARE UN PARAFUOCO CONFORME ALLA NORMA BS 8423 (ULTIMA EDIZIONE) IN PRESENZA DI BAMBINI, ANZIANI O INVALIDI.

LA GRIGLIA DI USCITA DEL RISCALDATORE DIVENTA BOLLENTE DURANTE L'USO. NON COPRIRE LA GRIGLIA DI USCITA NÉ ALCUNA PARTE DELL'APPARECCHIO.

Da usare solo con alimentazione elettrica da 230 V, 50Hz.

Leggere attentamente queste istruzioni prima dell'installazione e conservarle in un luogo sicuro.

poiché saranno necessarie al momento di eseguire riparazioni o manutenzione.

QUESTO APPARECCHIO DEVE ESSERE PROVVISORIO DI
MESSA A TERRA

IL PRESENTE PRODOTTO È ADATTO SOLO A AMBIENTI CORRETTAMENTE ISOLATI O AD UN USO OCCASIONALE.

INFORMAZIONI IMPORTANTI E SALUTE E SICUREZZA

Leggere attentamente tutte le istruzioni prima di utilizzare l'apparecchio.

Rimuovere tutti gli imballaggi e smaltirli presso un'appropriata struttura di riciclaggio.

Non posizionare l'apparecchio subito sotto una presa di corrente fissa.

Alcune parti dell'involucro esterno dell'apparecchio sono considerate dal produttore superfici di lavoro che si scaldano all'accensione del riscaldatore. Utilizzare un parafuoco adeguato per proteggere bambini, anziani e malati.

Non utilizzare questo apparecchio nelle immediate vicinanze di una vasca da bagno, di una doccia, di una piscina o in altre aree in cui potrebbe venire a contatto con acqua o umidità, ad esempio la stanza da bagno.



ATTENZIONE! NON COPRIRE

Non coprire l'apparecchio né ostruire la presa o l'uscita dell'aria, per evitare il surriscaldamento dell'apparecchio. Osservare il simbolo di avviso sull'apparecchio (vedere sopra).

Solo per uso interno. Questo apparecchio non è adatto all'uso in aree esterne alla casa.

Posizionare l'apparecchio su una superficie stabile, pulita e orizzontale. Non posizionare il crogiolo su un tappeto. Assicurarsi che mobili, tende e così via si trovino a non meno di 1 metro e che il crogiolo si trovi su una superficie in grado di resistere a temperature di 90 °C per periodi prolungati. Posizionare eventuali tappeti ad almeno 500 mm dalla parte anteriore della stufa.

Se il cavo dell'alimentazione elettrica deve passare attraverso un camino, un rivestimento in pietra e così via, assicurarsi che vengano installate delle protezioni di gomma nei possibili punti di usura.

Se installato in un camino aperto, chiudere la canna fumaria per ridurre il rischio di fiamma di ritorno che può causare la disattivazione del sistema di sicurezza.

Tenere il cavo di alimentazione lontano da superfici calde e condizioni di calore. Non posizionare il cavo di fronte all'apparecchio.

Una volta installato il caminetto, deve essere possibile accedere alla spina.

Se il cavo di alimentazione è danneggiato, non utilizzare l'apparecchio finché non viene sostituito. Per motivi di sicurezza, la sostituzione deve essere effettuata da un responsabile dell'assistenza Gazco o da un elettricista con una qualifica simile.

ATTENZIONE: Per evitare un pericolo dovuto al ripristino involontario dell'interruttore termico, questo apparecchio non deve essere alimentato tramite un dispositivo di commutazione esterno, ad esempio un timer, o collegato a un circuito di comando accensione e spegnimento.

Non utilizzare l'apparecchio se danneggiato.

La riparazione delle apparecchiature elettroniche deve essere eseguita solo da un elettricista. In caso di mancato funzionamento dell'apparecchio o in caso di danni, contattare il rivenditore presso il quale è stato acquistato.

Questo apparecchio può essere utilizzato da bambini di età superiore a 8 anni e persone con ridotte capacità fisiche, sensoriali o mentali o mancanza di esperienza e conoscenza, solo se supervisionati o istruiti sull'uso dell'apparecchio in modo sicuro e se comprendono i rischi che corrono. I bambini di età inferiore ai 3 anni devono essere tenuti lontano a meno che non siano costantemente supervisionati.

I bambini di età compresa tra 3 anni e meno di 8 anni possono accendere/spegnere l'apparecchio solo se questo è stato collocato o installato nella normale posizione operativa prevista e se sono sorvegliati o istruiti sull'uso dell'apparecchio in modo sicuro e se comprendono i rischi che corrono. I bambini di età compresa tra 3 anni e meno di 8 anni non possono collegare, regolare, pulire l'apparecchio né eseguire interventi di manutenzione.

Tuttavia Gazco consiglia:

Questo elettrodomestico non è progettato per essere utilizzato da minori di 12 anni, da persone con capacità fisiche, sensoriali o mentali ridotte o da persone che non hanno l'esperienza o le conoscenze necessarie per mettere in funzione l'elettrodomestico in maniera sicura.

Questo elettrodomestico può essere utilizzato da maggiori di 12 anni purché siano stati istruiti in merito all'utilizzo sicuro dell'elettrodomestico e comprendano i possibili rischi. I minori di 12 anni possono utilizzare questo elettrodomestico purché siano supervisionati da un adulto responsabile.

Alcune componenti di questo elettrodomestico diventano calde in seguito all'utilizzo e in nessun caso i minori di 12 anni devono essere lasciati da soli con il prodotto quando questo è in funzione, a meno che non venga utilizzato un parafuoco idoneo allo scopo di proteggerli dalla possibilità di entrare a diretto contatto con l'elettrodomestico.

I bambini non devono giocare con l'apparecchio.

La pulizia e la manutenzione dell'utente non devono essere eseguite da bambini senza supervisione.

ISTRUZIONI DI FUNZIONAMENTO



ATTENZIONE! Non utilizzare l'apparecchio se danneggiato o se non funziona correttamente. Se si sospetta che l'apparecchio sia danneggiato o che non abbia funzionato correttamente, contattare un tecnico dell'assistenza qualificato per far eseguire un'ispezione e sostituire le parti dell'impianto elettrico se necessario, prima di riutilizzarlo.

Non scollegare l'alimentazione alla rete elettrica mentre l'apparecchio è in funzione. Utilizzare le funzioni del telecomando per spegnere il fuoco e assicurarsi che l'interruttore di isolamento sia stato spostato in posizione di spegnimento prima di scollegarlo.

GENERALE

L'apparecchio può essere azionato dal ricevitore a radiofrequenza o dai comandi manuali.



NOTA: Per utilizzare entrambe le funzioni remota e manuale, l'interruttore di accensione/spegnimento manuale deve essere in posizione "ON". Per evitare che il prodotto diventi troppo caldo, si verifica un ritardo di 10 secondi all'accensione del riscaldatore e un ritardo di 10 secondi quando si spegne la ventola del riscaldatore.

Il pulsante manuale controlla le funzioni di base, non una gamma completa di controlli. Utilizzare il telecomando per eseguire tutte le funzioni.

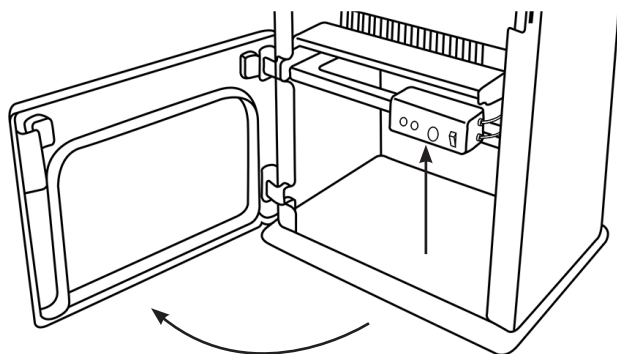
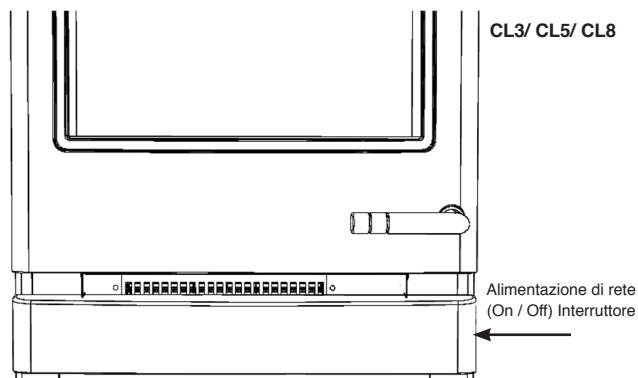
PREPARAZIONE PRIMA DELL'USO

Pile:

Assicurarsi che le pile del telecomando siano nuove e correttamente inserite.

Smaltire le pile vecchie presso una struttura di riciclaggio appropriata.

POSIZIONE DELL'INTERRUTTORE



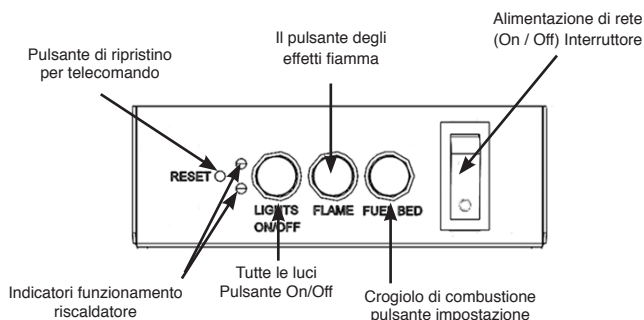
Spostare l'interruttore su ON (—) prima di utilizzare il telecomando o i comandi manuali.

Un segnale acustico indica che il caminetto è pronto all'uso.

PANNELLO COMANDO MANUALE

I controlli manuali si trova sul pannello di controllo, nell'angolo inferiore destro della stufa.

I controlli manuali si trovano dietro lo sportello inferiore.



Accendere l'apparecchio con l'interruttore di alimentazione principale in posizione "—". Si sentirà un lungo bip.

Premere "LIGHTS ON/OFF" per accendere o spegnere contemporaneamente la fiamma e il crogliolo di combustione.

Ci sono 3 opzioni di colore della fiamma:

Premere il pulsante "FLAME" per selezionare il colore della fiamma o tornare alla posizione OFF.

Ci sono 14 tipi di crogliolo di combustione:

Premere il pulsante "FUEL BED" per selezionare il colore del crogliolo di combustione o tornare alla posizione OFF.

Nota: L'apparecchio perderà la memoria per le funzioni di illuminazione quando l'interruttore è impostato su Off o si scaricano le batterie del telecomando.

Indicatori di funzionamento del riscaldatore

Quando il termoventilatore viene utilizzato in combinazione con gli effetti della fiamma o del crogliolo di combustione, gli indicatori di funzionamento del riscaldatore si accendono per 10 secondi.

I LED si accendono per 10 secondi quando l'effetto fiamma o il crogliolo di combustione vengono accesi.

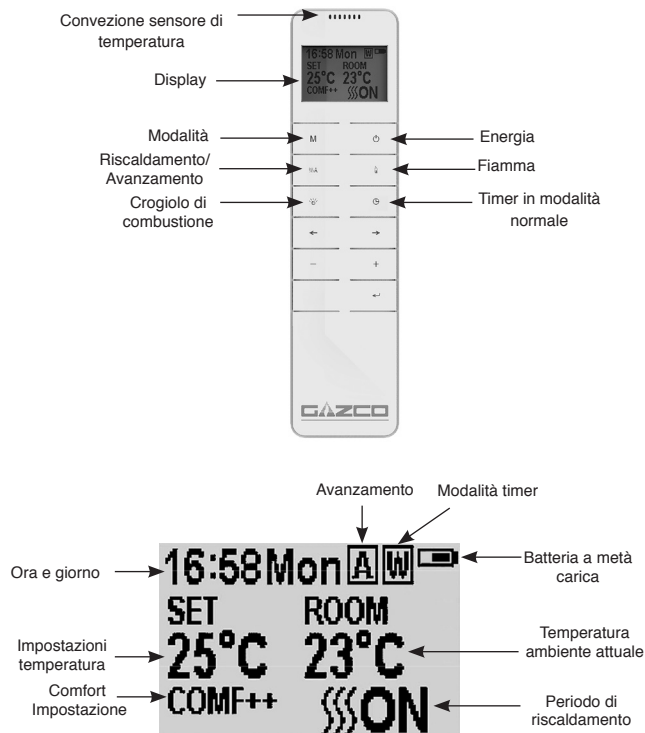
Se il termoventilatore viene utilizzato in modo indipendente, gli indicatori di funzionamento del riscaldatore rimangono accesi.

Pulsante di ripristino per telecomando

Se il telecomando perde il segnale o deve essere sostituito, per informazioni più dettagliate, consultare sezione manutenzione.

COMANDI A DISTANZA

Il telecomando deve essere lasciato su una superficie piana nella stanza in cui è installato l'apparecchio e lontano da qualsiasi flusso diretto di aria calda.




Codice di segnale


Il telecomando funziona tramite segnale radio. Il trasmettitore manuale è configurato in fabbrica con un codice di segnale unico.


IMPORTANTE: Se il telecomando perde il segnale o deve essere sostituito, per informazioni più dettagliate, consultare sezione manutenzione.

NOTA: il telecomando è dotato di indicatore di stato della batteria (angolo in alto a destra), dopo un periodo di inattività, lo schermo LED smetterà di funzionare anche se il telecomando resterà in grado di inviare comandi. Sostituire le batterie per ripristinare il display.

Accensione/spengimento

Premere il  pulsante per accendere l'effetto fiamma.

Premere il  pulsante per disattivare tutte le funzioni nella normale modalità di controllo del riscaldamento, inclusi l'effetto fiamma ed il riscaldatore della ventola.

Premere il  pulsante per disattivare l'effetto fiamma in modalità riscaldamento giornaliero e settimanale.

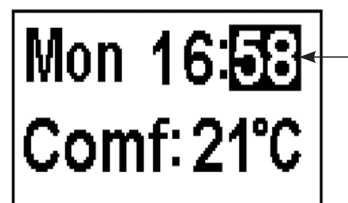
Giorni della settimana/ora/temperatura comfort e impostazione unità

All'attivazione si consiglia di ripristinare l'orologio all'orario corretto per garantire la precisione di funzionamento dell'apparecchio.

Tenere premuto il **M** pulsante per 3 secondi per accedere alla schermata impostazioni.


Premere il pulsante '←' o '→' per scegliere l'impostazione da modificare.

Il carattere selezionato verrà evidenziato.



Premere il pulsante '+' o '-' per regolare il numero.

Schema orario: sistema 24 ore.
Selezionare una temperatura comfort da 15 a 25°C.
Unità temperatura: °C/°F.

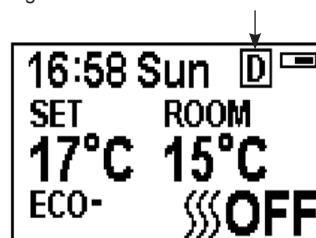
Premere il pulsante  per 3 secondi o attendere 10 secondi per salvare e uscire dalla settimana, dall'ora e dall'impostazione della temperatura.


Timer giornaliero riscaldamento

Sono stati preimpostati i seguenti periodi di riscaldamento, che possono essere modificati se lo si desidera:

dalle ore 06:00 alle 08:00
dalle ore 17:00 alle 22:00

Premere **M** fino a **D** visualizzare l'angolo in alto a destra dello schermo per accedere al timer giornaliero della modalità di riscaldamento.

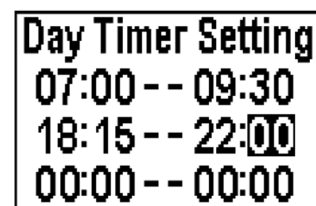



Tenere premuto il  pulsante per 6 secondi per accedere all'impostazione riscaldamento giornaliero.

È possibile impostare un massimo di 3 periodi di riscaldamento programmati al giorno.

Premere '←' o '→' per scegliere ore o minuti.

Premere '+' o '-' per regolare il numero.
Ad ogni pressione si ha un incremento/decremento di 15 minuti.



Premere il pulsante  per 3 secondi o attendere 10 secondi per salvare e uscire dall'impostazione del periodo di riscaldamento.

Controllare l'impostazione del timer. Premere **←** per controllare la modalità giornaliera del timer.

Se è necessario spegnere il riscaldamento, sarà necessario tornare alla modalità di controllo normale.

Quando si spegne l'apparecchio mentre si trova in modalità timer giornaliero con il telecomando si interrompe l'emissione di luce. L'uscita di calore continuerà secondo le impostazioni del timer.

Regolazione della temperatura impostata

Premere il pulsante '+' o '-' per aumentare o diminuire la temperatura sulla base della temperatura COMF.

COMF indica che la temperatura effettiva corrisponde a quella dell'impostazione.

ECO significa che la temperatura attuale è inferiore di 2°C rispetto alla temperatura impostata.

ECO- significa 4°C in meno.


COMF+ significa 2°C in più.

COMF++ significa 4°C in più.

Controllo di avvio adattivo

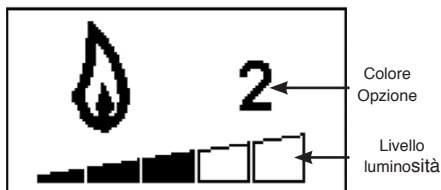
In base alla temperatura ambiente e alla temperatura impostata, il riscaldatore determina automaticamente il tempo di riscaldamento appropriato per garantire che raggiunga la temperatura impostata nel tempo impostato (fino a 45 minuti prima del tempo impostato).

Regolazione del colore della fiamma

Premere il  pulsante per accedere alla schermata di regolazione della fiamma.

Ci sono 3 opzioni di colore della fiamma, indicate dal numero.

Ci sono 6 livelli di luminosità, incluso spento. Questo è indicato dalla barra, con la barra vuota che indica spegnimento.




Premere il pulsante '**←**' o '**→**' per scorrere ciclicamente le opzioni del colore della fiamma.

Premere il pulsante '+' per aumentare la luminosità della fiamma.

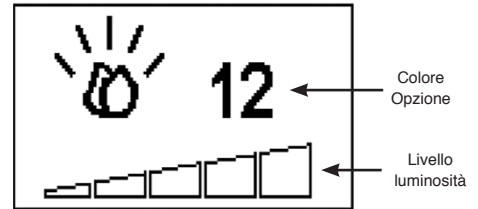
Premere il pulsante '-' per ridurre la luminosità della fiamma.

Regolazione colore del crogiolo di combustione

Premere  per accedere alla schermata di regolazione luce crogiolo di combustione.

Ci sono 14 opzioni di colore crogiolo di combustione, indicate dal numero.

Ci sono 6 livelli di luminosità, incluso spento. Questo è indicato dalla barra, con la barra vuota che indica spegnimento.



Premere il pulsante '**←**' o '**→**' per scorrere ciclicamente le opzioni del colore del crogiolo di combustione.

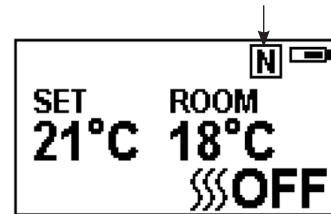
Premere il pulsante '+' per aumentare la luminosità del crogiolo di combustione.

Premere il pulsante '-' per ridurre la luminosità del crogiolo di combustione fino a spegnere.

Modalità di controllo normale

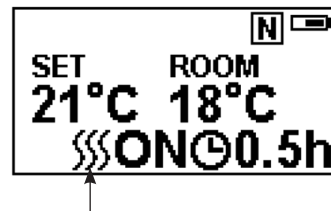
L'impostazione di default è la modalità di controllo normale.

In alternativa premere il pulsante **M** fino a visualizzare il **N** logo nell'angolo in alto a destra dello schermo.



Premere il pulsante '+' o '-' per regolare la temperatura impostata da 17°C a 25°C.

Premere il pulsante **⏏ A** per accendere/spegnere il riscaldamento, nell'angolo in basso a destra comparirà **⏏ ON** o **⏏ OFF**.




Nota: È normale che il termoventilatore smetta di funzionare per dei periodi di tempo. Ciò accade se la temperatura della stanza è superiore alla temperatura impostata sul controllo.

L'indicatore del riscaldatore si spegne dopo 10 secondi se la fiamma è accesa. L'indicatore del riscaldatore rimarrà acceso se viene utilizzata solo la funzione di riscaldamento.

Se si spegne l'apparecchio con il telecomando mentre si trova in modalità di controllo normale, si interrompe l'emissione di luce e di calore.

Conto alla rovescia




Questa impostazione è solo nella normale modalità di controllo del riscaldamento. Consente all'apparecchio di tornare in standby dopo un determinato periodo di tempo. Il riscaldatore deve essere acceso per utilizzare questa funzione.

Premere  per scorrere in modo ciclico tra le impostazioni a partire da Off e da 0,5 ore a 9 ore. Il logo del timer e il tempo rimanente verranno visualizzati sullo schermo.

Il riscaldatore dell'apparecchio può essere avviato automaticamente utilizzando il timer giornaliero e il timer settimanale sul telecomando.

Pila

Il livello di carica della batteria è indicato in alto a destra nella schermata del telecomando.

	Batteria carica	Nessuna azione richiesta
	Batteria a metà carica	Assicurarsi che siano disponibili nuove batterie.
	Batteria scarica	Sostituire immediatamente le batterie

Si consiglia di sostituire le batterie dopo 1 anno. Il telecomando richiede due batterie AAA alcaline da 1,5 V.


La modifica delle batterie non influirà sulle impostazioni della modalità del timer, tuttavia potrebbe essere necessario regolare l'orologio.

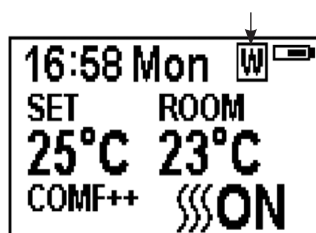
Timer settimanale riscaldamento


Sono stati preimpostati i seguenti periodi di riscaldamento, che possono essere modificati se lo si desidera:

Da lunedì a venerdì
dalle ore 06:00 alle 08:30
dalle ore 17:00 alle 22:00


Da sabato a domenica
dalle ore 06:30 alle 09:30
dalle ore 11:00 alle 13:00
dalle ore 17:00 alle 22:00

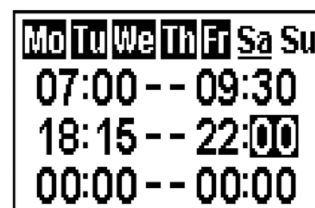
Premere **M** fino a  visualizzare l'angolo in alto a destra dello schermo per accedere al timer settimanale della modalità di riscaldamento.

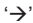


Tenere premuto il  pulsante per 6 secondi per accedere all'impostazione timer settimanale riscaldamento.

Premere '' o '' per spostare il cursore (una sottolineatura lampeggiante).

Premere il pulsante  nella posizione della settimana corrispondente per selezionare (il carattere è evidenziato) o annullare (il carattere viene visualizzato normalmente) l'impostazione corrente, contemporaneamente può essere selezionato lo stesso periodo.




Premere il pulsante '' per spostare il cursore sull'area di impostazione del periodo di tempo.


Premere '' o '' per scegliere ore o minuti.


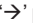

Premere '+' o '-' per regolare il numero.

È possibile impostare un massimo di 3 periodi di riscaldamento programmati al giorno.

Ad ogni pressione si ha un incremento/decremento di 15 minuti.

Premere  per impostare il periodo di riscaldamento per il giorno selezionato e tornare alla riga della settimana.

Premere il pulsante  per 3 secondi o attendere 10 secondi per salvare e uscire dall'impostazione del periodo di riscaldamento.

Premere  '' o '' per controllare l'impostazione del timer per la modalità di riscaldamento del timer settimanale.

Se è necessario spegnere il riscaldamento, sarà necessario tornare alla modalità di controllo normale.

Se si spegne l'apparecchio con il telecomando mentre si trova in modalità timer settimanale, si interrompe l'emissione di luce. L'uscita di calore continuerà secondo le impostazioni del timer.

Regolazione della temperatura impostata

Premere il pulsante '+' o '-' per aumentare o diminuire la temperatura sulla base della temperatura COMF.

COMF indica che la temperatura effettiva corrisponde a quella dell'impostazione.

ECO significa che la temperatura attuale è inferiore di 2°C rispetto alla temperatura impostata.

ECO- significa 4°C in meno.

COMF+ significa 2°C in più.

COMF++ significa 4°C in più.

Controllo di avvio adattivo

In base alla temperatura ambiente e alla temperatura impostata, il riscaldatore determina automaticamente il tempo di riscaldamento appropriato per garantire che raggiunga la temperatura impostata nel tempo impostato (fino a 45 minuti prima del tempo impostato).

Modalità avanzata

Lo stato di riscaldamento può essere anticipato fino al periodo successivo sia in modalità riscaldamento giornaliero che settimanale.



Se il riscaldatore è acceso nel periodo corrente, premendo il pulsante si spegne il riscaldatore.

Se il riscaldatore è spento nel periodo corrente, premendo il pulsante si accende il riscaldatore.

Che il riscaldamento effettivo sia acceso/spento dipende anche dalla temperatura della stanza e dalla temperatura impostata.

Se si preme **[[[A]]]** per accedere alla modalità avanzata in modalità di riscaldamento del timer giornaliero e settimanale, apparirà nell'angolo in alto a destra dello schermo **[A]**.

Premere **[[[A]]]** di nuovo, altrimenti allo scadere del tempo del timer si uscirà dalla modalità avanzata.

Finestra di rilevamento aperta

Quando il trasmettitore rileva un rapido calo della temperatura ambiente, verrà considerata come una finestra aperta: verrà visualizzata l'icona di avviso e il riscaldamento si spegnerà automaticamente.



Dopo l'aumento della temperatura interna o l'intervento manuale (azionando il telecomando), si tornerà al normale stato di funzionamento.

MANUTENZIONE



IMPORTANTE: LA PANNELLATURA ESTERNA DI YEOMAN CL È REALIZZATA IN GHISA. PRESTARE ATTENZIONE DURANTE L'INSTALLAZIONE, LA RIMOZIONE E LA CONSERVAZIONE POICHÉ I COMPONENTI SONO PESANTI E DEVONO ESSERE MANEGGIATI CON CURA.

SCOLLEGARE SEMPRE DALLA RETE ELETTRICA PRIMA DI PULIRE O DI ESEGUIRE QUALSIASI TIPO DI MANUTENZIONE.

PULIZIA GENERALE

Pulire solo l'involucro esterno quando l'apparecchio è freddo. Non usare detergenti abrasivi.

PULIZIA DELLE PARTI ANTERIORI

Passare un panno umido sul pannello in vetro e lucidare con un panno senza pelucchi.

Attenzione: non utilizzare detergenti abrasivi sul pannello in vetro. Non spruzzare direttamente liquidi su nessuna superficie dell'unità.

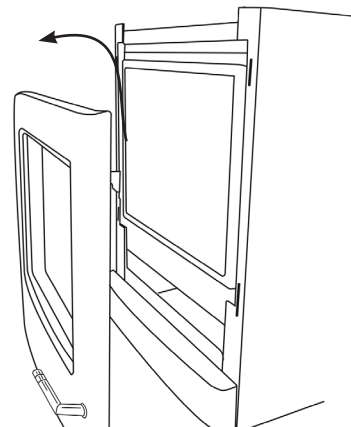
PULIZIA DEL CARBURANTE EFFETTO

Per accedere all'effetto combustibile sarà necessario rimuovere il pannello in vetro.

Verificare che l'apparecchio sia scollegato.

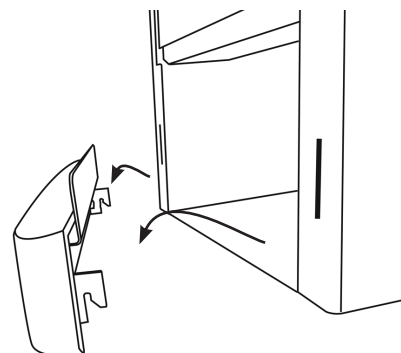
Rimuovere la parte superiore in ghisa e metterla da parte.

Rimuovere il telaio in ghisa per accedere all'apertura di visione sollevando i ganci dalle fessure sulla parte anteriore dell'apparecchio.



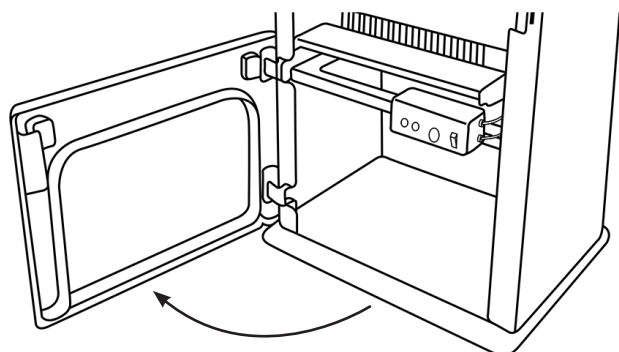
CL3, CL5 & CL8

Rimuovere la base sollevando i ganci dalle fessure sulla parte anteriore dell'apparecchio.



CL5 MIDLINE & CL5 HIGHLINE

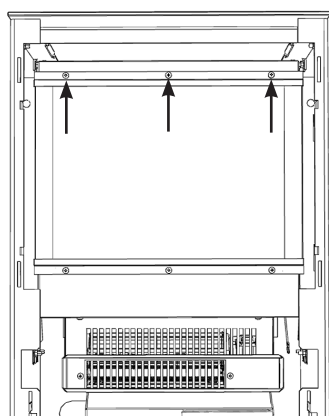
Aprire lo sportello inferiore da destra.



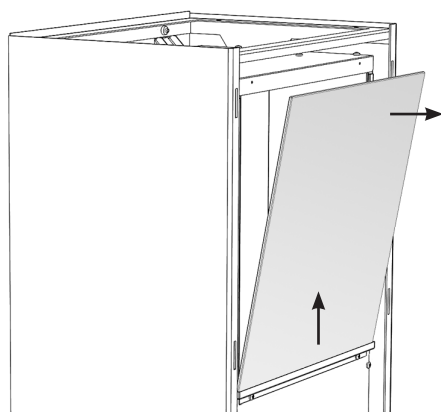
CL5 Midline & Highline

TUTTI I MODELLI

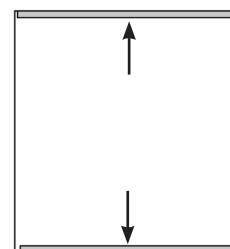
Rimuovere le 3 viti superiori e la staffa di fissaggio del vetro anteriore all'apparecchio.
Reggere il vetro durante la rimozione delle viti.



Inclinare delicatamente il vetro in avanti e sollevarlo dalla staffa inferiore per rimuoverlo. Metterlo da parte facendo attenzione.



Nota: durante la reinstallazione del vetro, verificare che le relative guarnizioni superiori e inferiori siano in posizione sullo stesso. La guarnizione inferiore potrebbe restare nella staffa inferiore: in questi casi, estrarre con cautela la guarnizione e riposizionarla al centro sulla parte inferiore del vetro prima della reinstallazione.



L'effetto combustibile è ora accessibile.

Rimuovere e lavare l'effetto combustibile per eliminare eventuali particelle di polvere. In alternativa pulire con un panno privo di lanugine.
Verificare che l'effetto sia asciutto prima della sostituzione.

Sostituire l'effetto combustibile, vedere Istruzioni per l'installazione Sezione per la disposizione.

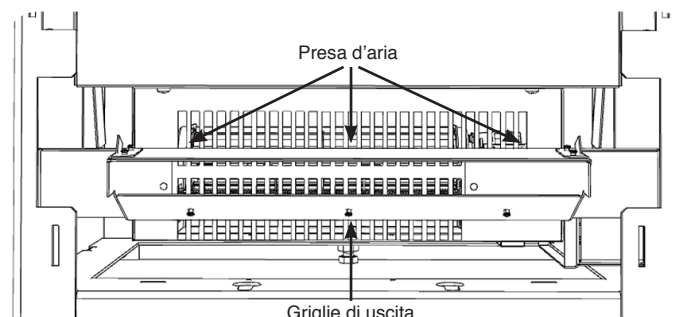
Sostituire seguendo l'ordine inverso.

PULIZIA DELLE PRESE D'ARIA

Assicurarsi che l'apparecchio sia scollegato.

Pulire regolarmente la presa d'aria e le griglie di uscita con un panno morbido o con il becco dell'aspirapolvere.

Nota: pulire con regolarità le prese d'aria presenti fra le scatole esterne e interne.



Gli accumuli di polvere possono impedire il corretto funzionamento della ventola e causare l'attivazione dell'interruttore di sicurezza.

Tenere l'area intorno all'apparecchio pulita e libera da lanugine, polvere o peli di animali.

In particolare, è possibile che si formino degli accumuli di polvere, ecc. attorno all'area del riscaldatore in cima all'elettrodomestico. Prestare particolare attenzione a mantenere quest'area regolarmente libera da tali particelle per impedire gli accumuli.

SOSTITUZIONE DELLE PILE

Quando la pila del telecomando è quasi completamente scarica, dev'essere sostituita immediatamente. Inserire una nuova pila compatibile e disporre della vecchia pila negli appositi contenitori di raccolta differenziata.

VIKTIG

DELER AV DET YTRE KABINETTET AV DETTE APPARAT ER AV PRODUSENTE ANSETT FOR Å VÆRE EN ARBEIDSOVERFLATE SOM BLIR VARM NÅR DEN ELEKTRISKE PEISEN SLÅS PÅ. DET ER DERFOR ANBEFALT AT EN BRANNVAKT OVERHOLDER BS 8423 (SISTE UTGAVE) BRUKES I NÆRVÆR AV SMÅ BARN, ELDRE ELLER BEVEGELSESHEMMEDE.

RILLENE FORAN VARMEUTTAKET BLIR VELDIG VARME UNDER BRUK. IKKE DEKK TIL RILLENE ELLER NOEN ANNEN DEL AV APPARATET.

Kun for bruk med 230 V 50Hz strømtilførsel.

Vennligst les disse instruksjonene nøye før bruk og oppbevar dem på et trygt sted.

Det vil bli bruk for dem når det skal utføres service eller vedlikehold på enheten.

DENNE PEISEN MÅ TILKOBLES JORD

DETTE PRODUKTET ER KUN EGNET FOR GODT ISOLERTE ROM OG SPORADISK BRUK.

VIKTIG INFORMASJON HELSE OG SIKKERHET

Les alle instruksjonene nøye før du tar i bruk peisen.

Fjern all emballasje og sørg for å avhende emballasjen på en gjenvinningsstasjon.

Ikke plasser denne peisen umiddelbart rett under et strømkontakt.

Deler av det ytre kabinettet av dette apparat er av produsenten ansett for å være en arbeidsoverflate som blir varm når den elektriske peisen slås på. Du må bruke egnet brannsikring for å beskytte barn, eldre og funksjonshemmede.

Ikke bruk peisen i nærheten av bad, dusj, svømmebasseng eller annet område der peisen kan komme i kontakt med vann eller fuktighet, f.eks. i baderom.



ADVARSEL! IKKE DEKK TIL

Ikke la peisen bli tildekket eller la luftinntak-/avløp bli hindret da dette kan føre til overoppheting. Vennligst merk deg advarselssymbolet på peisen (se over).

Kun for innendørs bruk. Peisen er ikke egnet for bruk utenfor huset.

Dette apparatet må stå på en ren, jevn og fast overflate. Sett ikke peisen på et teppe. Pass på at møbler, gardiner og lignende ikke befinner seg nærmere enn 1 m og at peisen står på en overflate som kan tåle temperaturer på 90 °C for lengre perioder. Matter eller tepper må være minst 500 mm fra apparatets front.

Om strømledninger må passere gjennom en peis, steininramming e.l. må det passes på at det monteres egnede gummihylser på mulige slitesteder.

Ved installering i en åpen peis må pipen blendes av for å redusere faren for baktrekk som kan forårsake at sikkerhetsavstengingen løses ut.

Hold strømledningen unna varme overflater og varme generelt. Ikke legg strømledningen foran peisen.

Ved installering i en åpen peis må pipen blendes av for å redusere faren for baktrekk som kan forårsake at sikkerhetsavstengingen løses ut.

Dersom strømkabelen er ødelagt, må du ikke bruke peisen før du har byttet den. Av sikkerhetsmessige grunner bør dette arbeidet utføres av Gazco servicepersonell eller elektriker med godkjent kompetanse.

ADVARSEL: For å unngå en fare grunnet utilsiktet tilbakestilling av den termiske sikringsautomaten, må denne anordningen ikke få strømtilførsel via et eksternt bryter-apparat, slik som en tidsbryter. Den må heller ikke kobles til en krets som regelmessig skrur på og av strømforsyningen.

Ikke bruk peisen hvis den har fått skader.

Reparasjoner av elektriske apparater må bare gjøres av autoriserte teknikere. Dersom peisen ikke virker eller det er blitt ødelagt, vennligst kontakt forhandleren som solgte deg peisen.

Dette apparatet kan brukes av barn fra 8 år og oppover og av personer med redusert fysisk, sensorisk eller mentale evner, eller mangel på erfaring og kjennskap, dersom de er under tilsyn eller har blitt gitt instruksjoner om bruk av apparatet på en trygg måte og de forstår farene som er involvert. Barn under 3 år bør holdes unna med mindre de er kontinuerlig overvåket.

Barn i alderen mellom 3 og 8 år skal kun slå apparatet på/av dersom det er plassert og montert i dens tiltenkte normale driftsposisjon og de er under tilsyn eller har blitt gitt instruksjoner om bruk av apparatet på en trygg måte og de forstår farene involvert. Barn i alderen mellom 3 og 8 år skal ikke plugges inn, justeres og rengjøre apparatet eller utføre vedlikehold.

Gazco anbefaler uansett:

Dette apparatet er ikke tiltenkt brukt av personer under 12 år, personer med nedsatt fysisk, sensorisk eller mental evne, eller personer som mangler erfaring og kjennskap til trygg betjening av apparatet.

Apparatet kan betjenes av personer over 12 år forutsatt at de har fått instruksjon i trygg bruk av apparatet og at de forstår hvilke farer som er involvert. Personer over 12 år kan også betjene apparatet under tilsyn av en ansvarlig voksen person.

Deler av dette apparatet blir varme under drift og personer under 12 år må ikke under noen omstendigheter forlates alene med produktet når det er i drift med mindre det brukes et varmeskjold for å beskytte dem mot direkte kontakt med apparatet.

Barn skal ikke leke med apparatet.

Rengjøring og brukervedlikehold skal ikke utføres av barn uten tilsyn.

BETJENINGSINSTRUKSER



ADVARSEL! Ikke bruk peisen hvis det har fått skader. Dersom du mistenker at peisen er ødelagt eller ikke fungerer som det skal, kontakt en godkjent tekniker for å inspisere peisen og, dersom nødvendig, bytt ut den aktuelle delen i det elektriske systemet før du bruker peisen igjen.

Strømtilførselen må ikke frakobles når peisen er På. Bruk funksjonene på fjernkontrollen for å slå av peisen og forsikre deg om at skillebryteren er satt i Av-stilling før strømmen frakobles.

GENERELL INFORMASJON

Apparatet kan betjenes av radiofrekvens-håndkontrollen eller de manuelle kontrollene.



MERK: For å bruke både fjernkontrollen og manuelle funksjoner må den manuelle på/av-bryteren stå i posisjon 'PÅ'. For å unngå at produktet blir for varmt, er det en 10 sekunders forsinkelse når du skrur på varmeapparatet, og en 10 sekunders forsinkelse når du skrur av vifteovnen.

Den manuelle knappen kontrollerer grunnleggende funksjoner, ikke en hel serie med kontroller. Bruk fjernkontrollen for å utføre alle funksjonene.

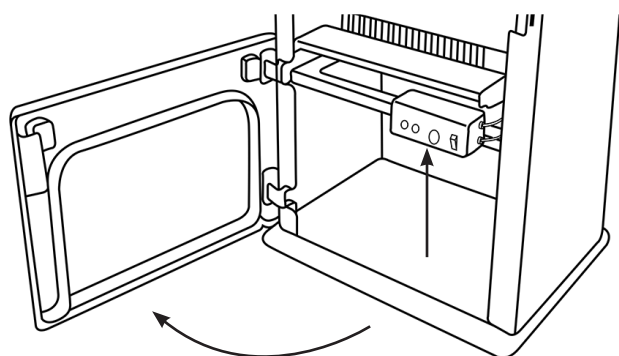
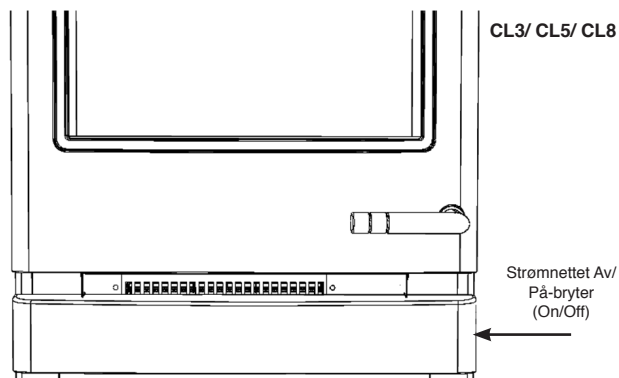
FORBEREDELSE FØR BRUK

Batterier:

Forsikre deg om at batteriet i fjernkontrollen er nytt og er satt i korrekt.

Gamle batterier må kasseres på godkjent gjenvinningsstasjon.

PLASSERING AV STRØMBRYTER



CL5 Midline & Highline

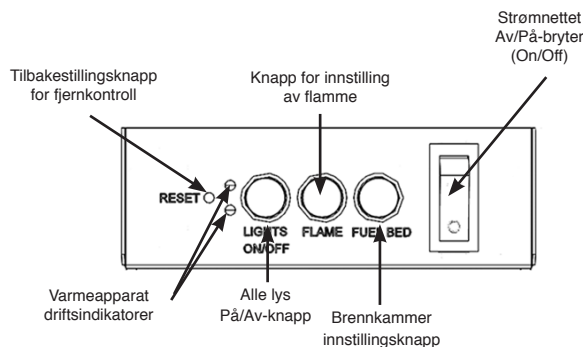
Skrur på apparatet med nettstrømbryteren i posisjon '—'.

En langvarig pipelyd kan høres for å indikere at peisen er klar for bruk.

MANUELT KONTROLLPANEL

Hovedbryteren for strøm sitter på kontrollpanelet på høyre side av peisen.

De manuelle kontrollene er plassert på den nedre døren.



Skrur på apparatet med nettstrømbryteren i posisjon '—'. En langvarig pipelyd vil høres.

Trykk på "LYS PÅ/AV" for å skru på eller av både flammen og brennkammeret samtidig.

Det er 3 alternativ for flammefarge:

Trykk på knappen "FLAMME" for å velge fargen på flammen eller gå tilbake til AV-posisjon.

Det er 14 ulike brennkamre:

Trykk på knappen "BRENNKAMMER" for å velge fargen på brennkammeret eller gå tilbake til AV-posisjon.

Merk: Apparatet vil miste minnet for lysfunksjonene når bryteren er satt i Av-posisjon eller fjernkontrollen går tom for strøm.

Varmeapparat driftsindikatorer

Når vifteovnen brukes sammen med flamme- eller brennkammer-effekt vil varmeapparatets driftsindikatorer lyse opp i 10 sekunder.

LED-lampene vil lyse i 10 sekunder dersom flamme- eller brennkammer-effekt er På.

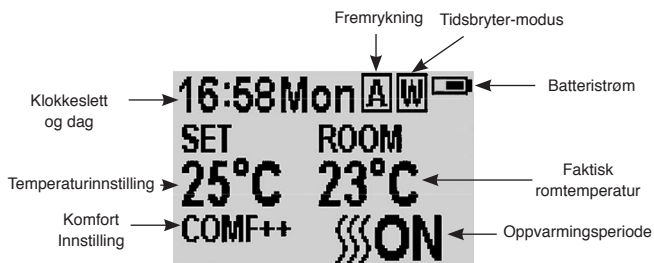
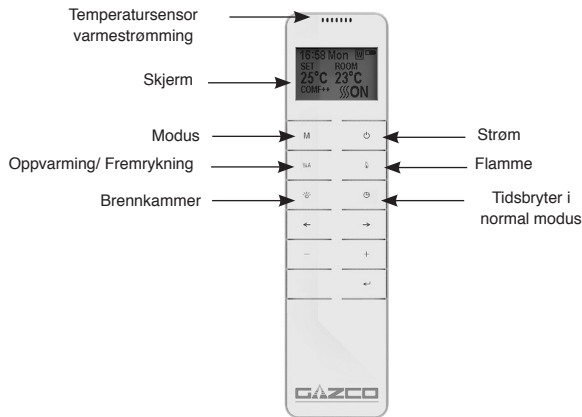
Dersom vifteovnen brukes uavhengig, vil varmeapparatets driftsindikatorer forbli på.

Tilbakestillingsknapp for fjernkontroll

Dersom håndkontrollen mister signal eller behøves å skiftes ut, se vedlikeholdsavsnittet for mer detaljer.

FJERNKONTROLLER

Fjernkontrollen bør legges på et flatt underlag i rommet der apparatet er montert og vekk fra enhver direkte varmluftsstrøm.



Signalkode

Fjernkontrollen virker via radiosignal. Den håndholdte senderen er konfigurert på fabrikk med en unik signalkode.

VIKTIG: Dersom håndkontrollen mister signal eller behøves å skiftes ut, se vedlikeholdsavsnittet for mer detaljer.

i **MERK:** Fjernkontrollen har en batteristatusindikator (øverst i høyre hjørne). Etter en lengre periode med tom visning, vil LED-skjermen slutte å fungere til tross for at håndsettet fremdeles kan sende kommandoer. Erstatt batteriet for å gjenopprette displayet.

Skru på/av

Trykk på knappen for å skru på flamme-effekten.

Trykk på knappen for å skru av alle funksjonene under normal varme kontroll-modus inkludert flamme-effekt og vifteovn.

Trykk på knappen for å skru av flamme-effekten under daglig og ukentlig tidsbryter-varmemodus.

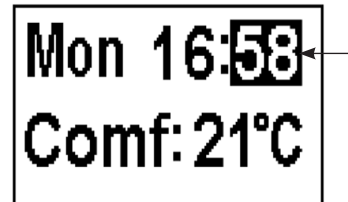
Ukedager/ Klokkeslett/ Komforttemperatur og Innstilling av enhet

Ved aktivering anbefales det at klokken stilles tilbake til riktig klokkeslett for å sørge for en nøyaktig drift av apparatet.

Hold **M** knappen inne i 3 sekunder for å gå inn i skjermbildet for innstillinger.

Trykk på knappen '←' eller '→' for å velge innstillingen som skal endres.

Det valgte tegnet vil fremheves.



Trykk på knappen '+' eller '-' for å justere tallet.

Klokkeslett: 24-timers system.
Velg komforttemperatur fra 15-25°C.
Temperatur-enhet: °C/°F.

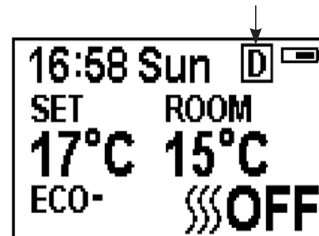
Trykk på knappen i 3 sekunder eller vent i 10 sekunder for å lagre og gå ut av innstillingen av uke, klokkeslett og oppvarmingstemperatur.

Daglig tidsinnstilt oppvarming

De følgende oppvarmingsperiodene har blitt forhåndsinnstilt, og disse kan endres dersom det er ønskelig:

06:00 til 08.00
17.00 til 22.00

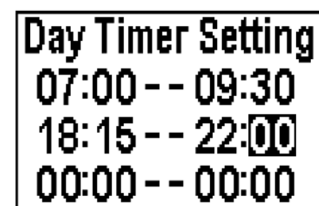
Trykk på **M** inntil **D** vises i øvre høyre hjørne på skjermen for å gå inn i modusen for daglig tidsinnstilt oppvarming.



Hold knappen inne i 6 sekunder for å gå inn i innstillingen for daglig oppvarming. Maksimalt 3 tidsinnstilte oppvarmingsperioder kan stilles inn per dag.

Trykk på '←' eller '→' for å velge time eller minutter,

Trykk på '+' eller '-' for å stille inn tallet. Minuttene øker / synker med 15 min per trykk.



Hold knappen inne i 3 sekunder eller vent i 10 sekunder for å lagre og gå ut av innstillingen av oppvarmings-tidsperiode.

Sjekk tidsinnstillingen. Trykk på for å sjekke modusen for daglig tidsinnstilling.

Dersom du vil skru av oppvarmingen, må du gå tilbake til normal kontrollmodus for å skru den av.

Når den er i modus for daglig tidsinnstilling, vil det å skru apparatet av med fjernkontrollen føre til at lysproduksjonen stanser. Varmeproduksjonen vil fortsette i samsvar med tidsinnstillingen.

Justering av den innstilte temperaturen

Trykk på knappen '+' eller '-' før å øke eller redusere temperaturen fra utgangspunktet COMF-temperaturen.

COMF betyr at den faktiske temperaturen er det samme som innstillingen.

ECO betyr at den faktiske temperaturen er 2°C lavere enn den innstilte temperaturen.

ECO- betyr 4°C lavere.

COMF+ betyr 2°C høyere.

COMF++ betyr 4°C høyere.

Adaptiv startkontroll

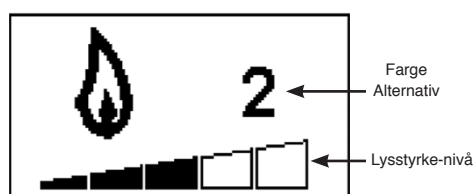
I samsvar med romtemperatur og innstilt temperatur, vil varmeapparatet automatisk avgjøre den hensiktsmessige tiden det vil ta å varme opp, for å sørge for at den når den innstilte temperaturen i den innstilte tiden (opptil 45 minutter før det innstilte klokkeslettet).

Justering av flammefarge

Trykk på knappen for å gå inn i skjermbildet for flammefargejustering.

Det er 3 alternativer for flammefarge, indikert av nummeret.

Det er 6 nivå av lysstyrke, inkludert av. Dette er indikert av streken, og den tomme streken indikerer av.



Trykk på knappen '<' eller '>' for å gå gjennom alternativene for flammefarge.

Trykk på knappen '+' for å øke flammens lysstyrke.

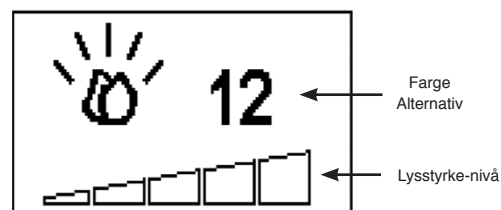
Trykk på knappen '-' for å redusere flammens lysstyrke inntil den går av.

Justering av brennkammer-farge

Trykk på for å gå inn i skjermbildet for lysjustering av brennkammeret.

Det er 14 alternativer for brennkammerfarge, indikert av nummeret vist i diagram.

Det er 6 nivå av lysstyrke, inkludert av. Dette er indikert av streken, og den tomme streken indikerer av.



Trykk på knappen '<' eller '>' for å gå gjennom alternativene for brennkammerfarge.

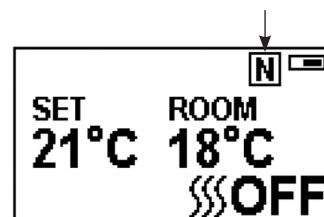
Trykk på knappen '+' for å øke brennkammerets lysstyrke.

Trykk på knappen '-' for å redusere brennkammerets lysstyrke inntil den går av.

Normal kontrollmodus

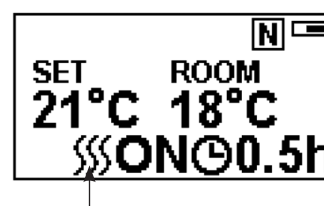
Normal kontrollmodus er default-innstilling.

Alternativt kan du trykke på **M** knappen inntil **N** logoen vises øverst til høyre på skjermen.



Trykk på knappen '+' eller '-' for å justere temperaturinnstillingen fra 17°C til 25°C.

Trykk på knappen A for å skru varmen på/av, PÅ eller AV vil vises nederst i høyre hjørne på skjermen.



Merk: Den er normalt at vifteovnen stanser i tidsperioder. Dette skjer dersom romtemperaturen er høyere enn temperaturen stilt inn på kontrollen.

Varmeapparatets indikator vil skrus av etter 10 sekunder dersom flammen er skrudd PÅ. Varmeapparatets indikator vil forbli PÅ dersom kun varmefunksjonen brukes.

Når den er i normal kontrollmodus, vil det å skru av apparatet med fjernkontrollen føre til at både lysproduksjonen og varmeproduksjonen stanser.

Nedteiling Tidsbryter

Denne innstillingen er kun i normal oppvarming kontrollmodus. Den gjør at apparatet kan gå tilbake i hvilemodus etter en innstilt tidsperiode. Varmeapparatet må skrues på for å bruke denne funksjonen.

Trykk på for å gå gjennom innstillingen fra Av og 0,5 timer til 9 timer. Tidsbryterens logo og gjenværende tid vil vises på skjermen.

Apparatets varmeenhet kan drives automatisk ved å bruke daglig tidsinnstilling og ukentlig tidsinnstilling på fjernkontrollen.

Batteri

Batteriets strømnivå indikeres øverst til høyre på fjernkontrollens skjerm bilde.

	Batteri fullt	Ingen handling kreves
	Batteri halvfullt	Sørg for at nye batterier er tilgjengelige.
	Batteri tomt	Skift ut batterier umiddelbart

Utskiftning av batterier er anbefalt etter 1 år. Fjernkontrollen bruker 1.5V alkaliske AAA batterier.

Å skifte ut batteriene vil ikke påvirke innstillingene av tidsbrytermodus, men det kan hende at klokken må stilles.

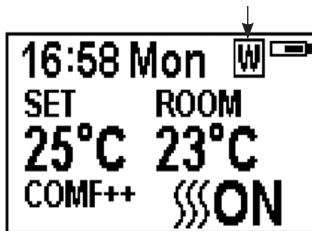
Uke tidsinnstilt oppvarming

De følgende oppvarmingsperiodene har blitt forhåndsinnstilt, og disse kan endres dersom det er ønskelig:

Fra mandag til fredag
06:00 til 08:30
17:00 til 22:00

Fra lørdag til søndag
06:30 til 09:30
11:00 til 13:00
17:00 til 22:00

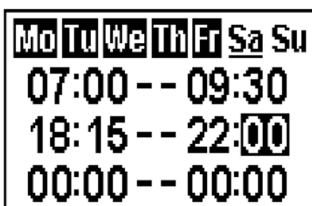
Trykk på **M** inntil vises i øvre høyre hjørne på skjermen for å gå inn i modusen for uke tidsinnstilt oppvarming.



Hold knappen inne i 6 sekunder for å gå inn i innstillingen for uke oppvarming.

Trykk på '' eller '' for å flytte markøren (en blinkende understreking).

Trykk på knappen på den tilhørende uke-posisjonen for å velge (karakteren blir markert) eller avbryte (karakteren vises normalt) den inneværende innstillingen, den samme tidsperioden kan velges sammen.



Trykk på knappen '' for å flytte markøren til innstillingsområdet for tidsperiode.

Trykk på '' eller '' for å velge time eller minutter.

Trykk på '+' eller '-' for å stille inn tallet.

Maksimalt 3 tidsinnstilte oppvarmingsperioder kan stilles inn per dag.

Minuttene øker / synker med 15 min per trykk.

Trykk på for å stille inn oppvarmingstid for den valgte dagen og gå tilbake til ukelinjen.

Hold knappen inne i 3 sekunder eller vent i 10 sekunder for å lagre og gå ut av innstillingen av oppvarmings-tidsperiode.

Trykk på '' eller '' for å sjekke tidsinnstillingen for uke tidsinnstilt oppvarming.

Dersom du vil skru av oppvarmingen, må du gå tilbake til normal kontrollmodus for å skru den av.

Når den er i modus for uke tidsinnstilling, vil det å skru av apparatet med fjernkontrollen føre til at lysproduksjonen stanser. Varmeproduksjonen vil fortsette i samsvar med tidsinnstillingen.

Trykk på knappen '+' eller '-' før å øke eller redusere temperaturen fra utgangspunktet COMF-temperatur.

COMF betyr at den faktiske temperaturen er det samme som innstillingen.

ECO betyr at den faktiske temperaturen er 2°C lavere enn den innstilte temperaturen.

ECO- betyr 4°C lavere.

COMF+ betyr 2°C høyere.

COMF++ betyr 4°C høyere.

Adaptiv startkontroll

I samsvar med romtemperatur og innstilt temperatur, vil varmeapparatet automatisk avgjøre den hensiktsmessige tiden det vil ta å varme opp, for å sørge for at den når den innstilte temperaturen i den innstilte tiden (opptil 45 minutter før det innstilte klokkeslettet).

Fremrykningsmodus

Oppvarmings-tilstanden kan rykke frem til neste periode, og dette er under både daglig og uke tidsinnstilt oppvarming.



Dersom varmeapparatet er på i den inneværende perioden, vil det å trykke på knappen skru varmeapparatet av.

Dersom varmeapparatet er av i den inneværende perioden, vil det å trykke på knappen skru varmeapparatet på.

Hvorvidt den faktiske oppvarmingen er på/av avhenger også av romtemperaturen og den innstilte temperaturen.

Trykk på for å gå inn i Fremrykningsmodus under daglig og uke tidsinnstilt oppvarming, vil vises øverst i høyre hjørne på skjermen.

Trykk på en gang til eller så vil tidsperioden slutte og gå ut av Fremrykningsmodus.

Påvisning av åpne vinduer

Når senderen oppdager et raskt fall av romtemperaturen, vil dette oppfattes som et åpent vindu: varsel-ikonet vil vises og oppvarmingen vil automatisk skrur av.



Etter at innendørstemperaturen stiger eller etter manuelt inngrep (ved å bruke fjernkontrollen), vil det gå tilbake til normal driftsstatus.

RENGJØRING



VIKTIG: DEN YTRE KLEDNINGEN AV YEOMAN CL ER LAGET I STØPEJERN. VÆR FORSIKTIG MENS MAN INSTALLERER, FJERNER OG LAGRER DA KOMPONENTENE ER TUNGE OG BØR HÅNTERES MED FORSIKTIGHET.

TA ALLTID STØPSLET UT AV STRØMKONTAKTEN FØR DU GJØR RENT ELLER UTFØRER NOEN FORMER FOR VEDLIKEHOLD.

GENERELL RENGJØRING

Du må bare rengjøre det ytre kabinettet når det er kaldt. Ikke bruk rengjøringsmidler med slipemiddel.

RENGJØRING AV FRONTER

Tørk av glasspanelet med en fuktig klut og poler med en løfri støvfille.

Forsiktig! Ikke bruk rengjøringsmidler med slipemiddel på glasspanelet. Ikke sprut væske direkte på noen av overflatene på enheten.

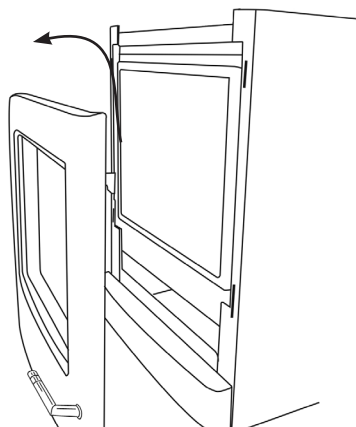
RENGJØRING AV DRIVSTOFF EFFEKT

For å komme til brenseleffekten er det nødvendig å fjerne glasspanelet.

Påse at apparatet er dratt ut av stikkkontakten.

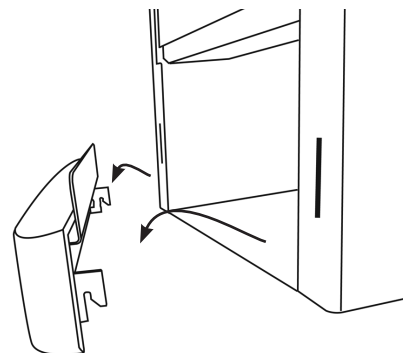
Fjern støpetoppen og legg den forsiktig på siden.

Fjern støperammen for å få tilgang til den synlige åpningen ved å løfte krokene av hullene foran på apparatet



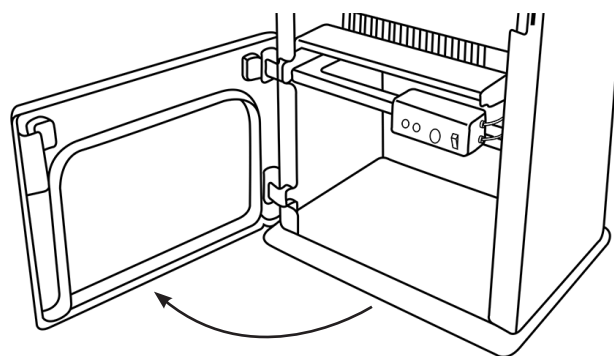
CL3, CL5 & CL8

Fjern sokkelen ved å løfte krokene av hullene foran på apparatet.



CL5 MIDLINE & CL5 HIGHLINE

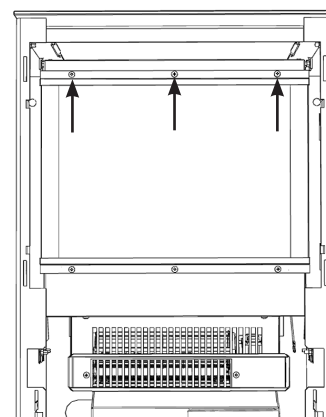
Åpne den nedre døren fra høyre side.



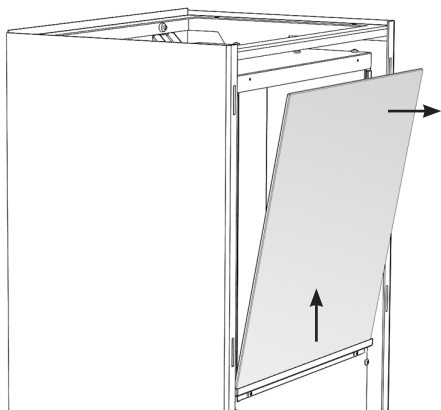
CL5 Midline & Highline

ALLE MODELLER

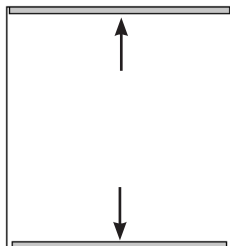
Fjern de øverste skruene og braketten som fester frontglasset til apparatet. Påse at du støtter glasset når du fjerner skruene.



Vipp glasset forsiktig fremover og løft ut bunnen av braketten for å fjerne den. Plasser forsiktig på den ene siden.



Merk: Når du setter på plass glasset, påse at forseglingen på topp og bunn er i posisjon på glasset. Forseglingen på bunn kan bli hengende igjen i hengselen nede, dersom dette skjer vil man måtte ta av forseglingen og sentrere den på ny i posisjon på bunnen av glasset før denne settes på plass.



Du kan nå komme til brenseeffekten.

Fjern og rengjør brenseeffekten for å fjerne alle støvpartikler. Eller rengjør med en løfri støvfille. Påse at effekten er tørr før den settes tilbake.

Erstatt brenseeffekten se Monteringsveiledning avsnitt 4 for layout.

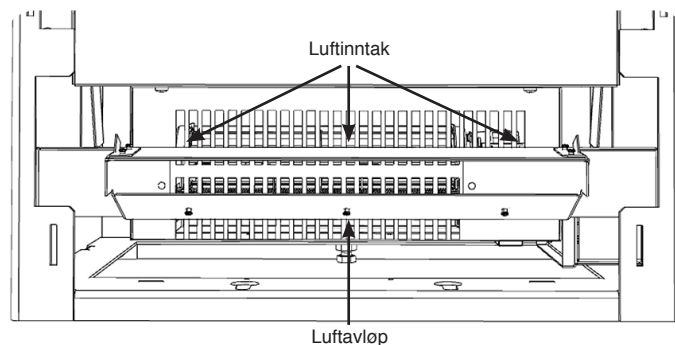
Sett tilbake i omvendt rekkefølge.

RENGJØRING AV LUFTINTAK

Forsikre deg om at støpslet til peisen er tatt ut av strømkontakten.

Rengjør ristene ved inntaket og avløpet jevnlig med en myk klut eller munnstykket på en støvsuge.

Merk: Det er luftinntak som er plassert mellom de indre og ytre boksene, forsikre deg om at disse rengjøres regelmessig.



Oppsamlet støv kan hindre effektiv ytelse på viften og føre til aktivering av termisk sikringsautoma.

Hold området rundt peisen rent og fritt for lo, støv eller hår fra kjæledyr.

Opphopning av støv og lignende kan særlig oppstå rundt varmeområdet på toppen av apparatet. Vær spesielt nøye med å holde dette området fritt for slike partikler, rengjør jevnlig for å hindre oppsamling.

BYTTE BATTERI

Når fjernkontrollbatteriet er tomt må det byttes umiddelbart. Bytt med riktig type og lever det gamle batteriet på forskriftsmessig måte til et resirkuleringsmottak.

CL3	CL5	CL8
YM681-196EU	YM681-331EU	YM681-374EU

GB: A 230V 13 Amp 50Hz supply is required
Maximum power consumption:

FR: Une alimentation électrique de 230V, 50Hz est requise.
La consommation électrique maximale:

NL: Een 230V, 50 Hz voeding is vereist.
Maximaal energieverbruik:

IT: È necessaria un'alimentazione da 230V, 50Hz
Consumo di corrente massimo:

NO: Det kreves 230V, 50Hz strømtilførsel
Maksimum strømforbruk:

GB: A 1.8 metre lead with plug containing a BS1362 13A fuse is supplied.
Only use a BS1362 13A fuse with this appliance.
2 x Remote control handset battery (AAA)

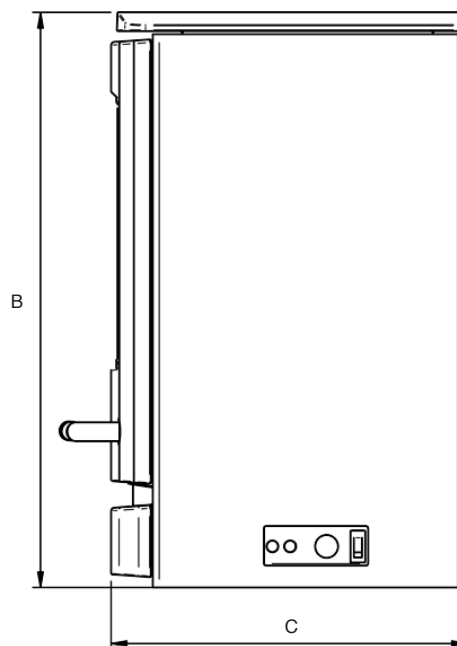
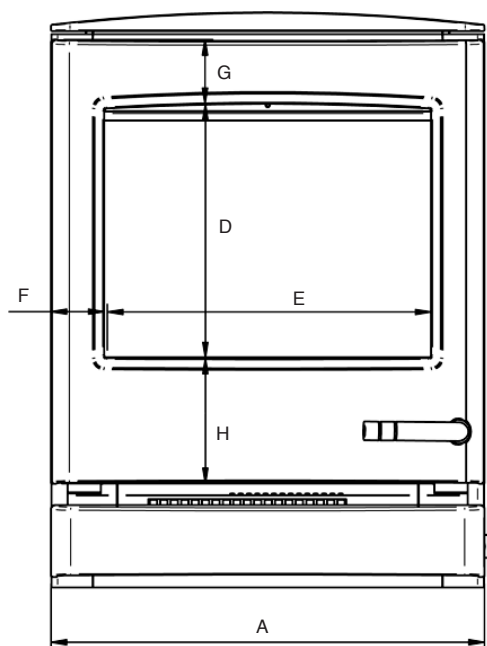
FR: L'appareil est fourni avec un câble électrique de 1,80 m de long équipé d'une prise de courant.
2 x Pile de la commande à distance (AAA).

NL: Er wordt een kabel van 1.8 meter met een stekker
2 x Batterij afstandsbediening (AAA).

IT: Viene fornito un cavo di 1,8 m con una spina.
2 x Batteria del telecomando (AAA)

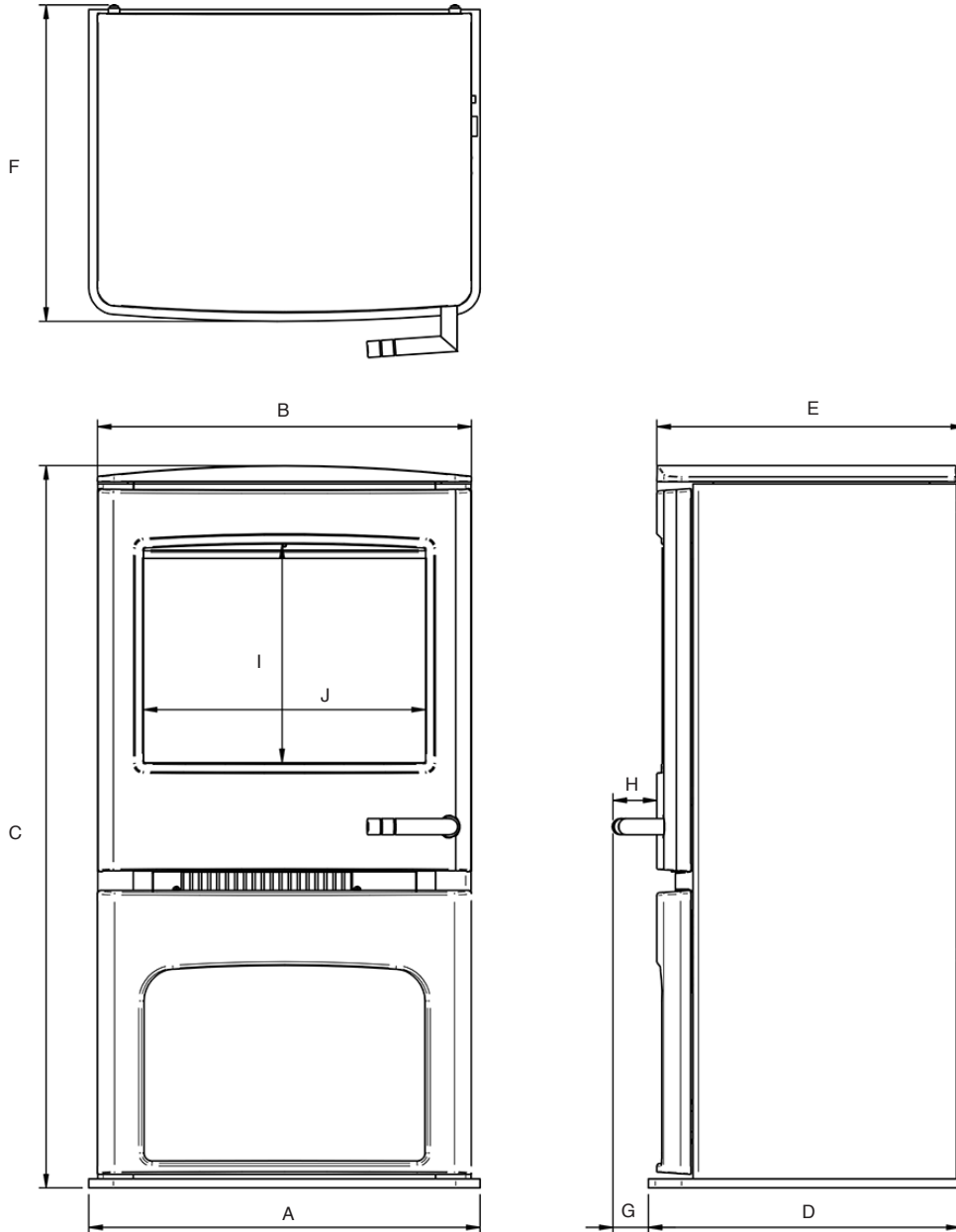
NO: En 1,8 m lang ledning med stopsel.
2 x Batteri til fjernkontrol (AAA).

CL3, CL5, & CL8	1500 Watts
-----------------	------------



	A	B	C	D	E	F	G	H
CL3	371	541	323	244	252	60	52	121
CL5	416	552	343	244	311	51	62	121
CL8	553	604	374	274	427	63	68	136

CL5 MIDLINE	CL5 HIGHLINE
YM681-342EU	YM681-353EU



	A	B	C	D	E	F	G	H	I	J
CL5 Midline	435	416	803	347	342	352	39	49	243	314
CL5 Highline	435	416	912	347	342	352	39	49	243	314

GB: GENERAL**TOOLS REQUIRED**

No tools are required to install this appliance.

UNPACKING THE FIREPLACE

WARNING! DO NOT use this appliance if any part has been exposed to water.

Immediately call a qualified service technician to inspect and to replace any part of the electrical system if necessary.

Open the packaging carefully and remove the polystyrene.

Remove and discard the plastic bag.

Keep plastic wrapping away from children.

Be responsible when handling the packing materials.

Check all parts and accessories are removed before disposing of any packaging.

If necessary keep the original packaging for future transport and/or storage.



This appliance is heavy and does not require anchoring to the hearth or floor, but in certain circumstances the appliance can become unstable e.g. when leaning on the appliance. If this is likely, secure the appliance to the hearth or floor with suitably strong fixings.

LOCATING THE APPLIANCE

The appliance may be installed virtually anywhere in your home. However, when choosing a location ensure that the general instructions are followed.

For best results, install out of direct sunlight.

If the power cord is damaged contact your Gazco retailer for a replacement. Only use genuine Gazco parts on this appliance.

The appliance should be located close to a suitable mains socket to enable connection.

The electrical socket must be easily accessible to allow disconnection when the appliance is fitted.

This appliance must stand on a clean, level, firm surface.

Do not stand the appliance on a carpet. Ensure that furniture, curtains etc. are positioned no closer than 1m and the appliance stands on a surface that can withstand temperatures of 90°C for prolonged periods. Do not allow rugs to be placed within 500mm of the front of the appliance.

Ensure that curtains and furniture are not positioned close to the chosen position, as this would create a potential fire hazard or block the heater outlet ducts.

WARNING! KEEP ANY COMBUSTIBLE MATERIALS AT LEAST 1M FROM THE FRONT AND SIDES OF THE APPLIANCE.

ALL INGLENOOK FIREPLACE OPENINGS:

For all models the dimensions required for an inglenook installation can be calculated by adding 225mm (9") to the height of the appliance and 150mm (6") to each side. An additional 50mm (2") must be added to the depth to provide adequate space behind the appliance.

FR: GÉNÉRALITÉS**OUTILS NÉCESSAIRES**

L'installation de cet appareil ne requiert aucun outil.

DÉBALLAGE DE L'APPAREIL

ATTENTION ! NE PAS utiliser cet appareil si l'un de ses composants a été exposé à l'eau.

Faire appel immédiatement à un technicien de service qualifié pour inspecter et remplacer tout composant du système électrique, le cas échéant.

Ouvrir l'emballage avec précaution et enlever le polystyrène.

Enlever et disposer du sac en plastique.

Conserver les emballages en plastique hors de la portée des enfants. Soyez responsable lors de la manutention des matériaux d'emballage.

Avant de disposer de l'emballage, vérifier qu'il ne contient aucun composant ou accessoire.

Au besoin, conserver l'emballage d'origine pour un transport et/ou entreposage futur.



Cet appareil est lourd et n'a pas besoin d'ancrage sur le foyer ou au sol. Cependant, dans certains cas, l'appareil peut devenir instable, par exemple lorsque l'on s'y adosse. Si ce cas de figure est susceptible de se produire, ancrez l'appareil sur le foyer ou au sol à l'aide de fixations solides adaptées.

POSITIONNER L'APPAREIL

Votre nouveau appareil peut être installé pratiquement n'importe où chez vous. Toutefois lors du choix de l'emplacement respecter les instructions générales suivantes.

Pour les meilleurs résultats possibles, éviter de l'installer directement en plein soleil.

Si le câble d'alimentation électrique est endommagé, ne pas utiliser l'appareil jusqu'à ce qu'il ait été remplacé. Pour des questions de sécurité, le remplacement doit être effectué bien par un électricien compétent.

L'appareil doit être installé à proximité d'une prise de courant appropriée pour en permettre le branchement. La prise électrique doit être facile d'accès pour permettre le débranchement une fois l'appareil installé.

Cet appareil doit reposer sur une surface plate et ferme, et non pas sur une moquette ou un tapis. Veiller à ce que l'ameublement, les rideaux, etc. ne soient pas à moins d'un mètre de l'appareil et l'appareil doit reposer sur une surface pouvant supporter des températures de 90° C pendant des périodes prolongées. Ne jamais poser un tapis à moins de 500 mm de la face du poêle.

Veiller à ce que les rideaux et les meubles ne sont pas positionnés à proximité de la position choisie, car cela créerait un risque d'incendie ou de bloquer les conduits de sortie de chauffage.

AVERTISSEMENT ! CONSERVER LES MATÉRIAUX COMBUSTIBLES À AU MOINS 1 M DE DISTANCE DU DEVANT ET DES CÔTÉS DE L'APPAREIL ÉLECTRIQUE.

OUVERTURES POUR TOUS LES APPAREILS INGLENOOK:

Pour tous les modèles, les dimensions requises pour l'installation d'un appareil Inglenook peuvent être calculées en ajoutant 225 mm à la hauteur de l'appareil et 150 mm à chaque côté. 50 mm supplémentaires doivent être ajoutés à la profondeur de manière à fournir un espace adéquat derrière l'appareil.

NL: ALGEMEEN

BENODIGD GEREEDSCHAP

Er is geen gereedschap nodig om dit apparaat te installeren.

DE OPEN HAARD UITPAKKEN.

WAARSCHUWING! Dit apparaat NIET gebruiken als er onderdelen aan water blootgesteld zijn geweest.

Bel onmiddellijk een erkende installateur om een inspectie te laten uitvoeren en vervang, indien nodig, onderdelen van het elektrische systeem.

De verpakking zorgvuldig openen en verwijder het polystyreen. Verwijder de plastic zak en gooi deze weg. Houd plastic verpakkingsmateriaal uit de buurt van kinderen. Wees verantwoordelijk bij het hanteren van het verpakkingsmateriaal.

Controleer of alle onderdelen en accessoires verwijderd zijn voordat de verpakking weggegooid wordt. Bewaar de originele verpakking, indien nodig, voor toekomstig transport en/of opslag.



Dit apparaat is zwaar en vereist geen verankering in de haard of vloer, maar in bepaalde omstandigheden kan het apparaat onstabiel worden, bijv. bij het leunen tegen het apparaat. Als dit kan gebeuren, borg het apparaat in de haard of vloer met geschikte sterke bevestigingen.

HET APPARAAT PLAATSEN

Uw nieuwe toestel kan bijna overal in uw huis worden geïnstalleerd. Zorg er echter bij het kiezen van een locatie voor dat de standaard instructies worden opgevolgd.

Voor het beste resultaat niet in direct zonlicht installeren.

Als de voedingskabel beschadigd is, moet deze door de fabrikant, een geautoriseerd service centrum of een vakman gerepareerd worden.

Het apparaat moet dicht bij een geschikt stopcontact geplaatst worden om de aansluiting mogelijk te maken.

Het stopcontact moet gemakkelijk toegankelijk zijn om de stekker eruit te kunnen trekken wanneer het apparaat geïnstalleerd is.

Dit apparaat moet op een vlakke, stevige ondergrond geplaatst worden. De haard niet op een tapijt neerzetten. Zorg ervoor dat meubels, gordijnen, enz. niet dichterbij dan 1 meter bij het apparaat vandaan geplaatst worden en de haard staat op een ondergrond die gedurende langere tijd temperaturen van 90°C kan weerstaan. Geen kleedjes binnen 500mm van de voorkant van de haard plaatsen.

Zorg ervoor dat gordijnen en meubels niet zijn geplaatst in de buurt van de gekozen positie, aangezien dit een potentieel brandgevaar zou maken of blokkeren van de verwarming uitlaat leidingen.

WAARSCHUWING! HOUD ALLE BRANDBARE MATERIELEN MINIMAAL 1 METER UIT DE BUURT VAN DE VOOR- EN ZIJKANTEN VAN DE ELEKTRISCHE HAARD.

ALLE 'ZITPLAATS' HAARDOPENINGEN:

De voor alle modellen benodigde afmetingen voor een installatie van een 'zitplaats' haard kunnen berekend kunnen worden door 225 mm aan de hoogte en 150 mm aan de twee zijanten van het apparaat toe te voegen. Er moet een extra 50mm diepte worden toegevoegd om genoeg ruimte achter het apparaat te creëren.

IT: GENERALI

STRUMENTI NECESSARI

Non occorre alcun attrezzo per installare questo apparecchio.

DISIMBALLAGGIO DEL CAMINETTO

ATTENZIONE! NON usare questo apparecchio se una parte qualsiasi è stata esposta all'acqua.

Chiamare immediatamente un tecnico dell'assistenza qualificato per l'ispezione e la riparazione di qualsiasi parte dell'impianto elettrico, se necessario.

Aprire attentamente la confezione e rimuovere il polistirolo. Rimuovere e gettare la busta di plastica. Tenere l'involucro di plastica fuori dalla portata dei bambini. Prestare attenzione durante la manipolazione dei materiali di imballaggio.

Controllare che tutte le parti e gli accessori siano stati rimossi prima di gettare gli imballaggi. Se necessario, conservare la confezione originale per il trasporto e/o lo stoccaggio futuri.



Questa apparecchiatura è molto pesante e non richiede alcun ancoraggio al camino o al pavimento. Tuttavia, in alcuni casi, l'apparecchiatura può risultare instabile, ad esempio quando ci si appoggia su di essa. In questa eventualità, fissare la stufa al camino o al pavimento con fissaggi sufficientemente forti.

COLLOCAMENTO DELL'APPARECCHIATURA

Il nuovo l'apparecchio può essere installato praticamente in qualsiasi punto della casa. Tuttavia, nella scelta della posizione, seguire le istruzioni generali.

Per i migliori risultati, installarlo lontano dalla luce solare diretta.

Se il cavo di alimentazione è danneggiato, contattare il proprio rivenditore Gazco per la sostituzione. Utilizzare solo ricambi originali Gazco sull'apparecchio.

L'apparecchio deve essere posizionato vicino a una presa elettrica adatta per consentire il collegamento.

La presa elettrica deve essere facilmente accessibile per consentire lo scollegamento una volta montato l'apparecchio.

Posizionare l'apparecchio su una superficie stabile, pulita e orizzontale. Non posizionare il crogiolo su un tappeto. Assicurarsi che mobili, tende e così via si trovino a non meno di 1 metro e che il crogiolo si trovi su una superficie in grado di resistere a temperature di 90 °C per periodi prolungati. Posizionare eventuali tappeti ad almeno 500 mm dalla parte anteriore della stufa.

Verificare che non siano presenti tende e mobili nelle vicinanze della posizione scelta, poiché ciò potrebbe causare rischi potenziali d'incendio o bloccare i condotti di uscita del riscaldatore.

ATTENZIONE! TENERE QUALSIASI MATERIALE COMBUSTIBILE AD ALMENO 1 M DI DISTANZA DALLA PARTE ANTERIORE E DAI LATI DEL CAMINETTO ELETTRICO.

APERTURE DI TUTTI I FOCOLARI INGLENOOK:

Per tutti i modelli, le dimensioni richieste per un'installazione inglenook possono essere calcolate aggiungendo 225 mm all'altezza dell'apparecchio e 150 mm su ciascun lato. È necessario aggiungere altri 50 mm alla profondità per ottenere uno spazio adeguato dietro l'apparecchio.

NO: GENERELL INFORMASJON

NØDVENDIG VERKTØY

Det kreves ingen verktøy for å installere dette apparatet.

UTPAKKING AV DEN ELEKTRISKE PEISEN

ADVARSEL! IKKE bruk denne peisen hvis noen del har vært utsatt for vann.

Kontakt en kvalifisert tekniker umiddelbart for å inspisere og bytte ut aktuelle deler av det elektriske anlegget dersom det er nødvendig.

Åpne innpakningen forsiktig, og fjern polystyrenet. Ta av plastposen og kast den.

Hold plastemballasjen unna barn. Behandle emballasjematerialet på en ansvarlig måte.

Sjekk at alle deler og alt tilbehør er tatt ut før du kvitter deg med emballasjen.

Om nødvendig kan du beholde originalemballasjen for fremtidig transport og/eller lagring.



Dette apparatet er tungt og krever ikke fastmontering i bakken eller gulvet, men apparatet kan i gitte omstendigheter bli ustabil; f.eks. om noen lener seg på apparatet. Hvis dette er sannsynlig bør du feste apparatet til bakken eller gulvet med passende festemidler.

PLASSERING AV APPARATET

Din nye apparatet faktisk installeres hvor som helst i hjemmet ditt. Når du velger plassering, er det imidlertid viktig at generelle instruksjoner følges.

For best resultat, installer vekk fra direkte sollys.

Dersom strømledningen er ødelagt, må den repareres av produsenten, en autorisert forhandler eller en fagmann.

Peisen bør plasseres nært en egnet strømkontakt. Strømkontakten skal være lett tilgjengelig slik at strømmen kan kobles fra når peisen er montert.

Dette apparatet må stå på en ren, jevn og fast overflate. Sett ikke peisen på et teppe. Pass på at møbler, gardiner og lignende ikke befinner seg nærmere enn 1 m og at peisen står på en overflate som kan tåle temperaturer på 90 °C for lengre perioder. Matter eller tepper må være minst 500 mm fra apparatets front.

Sikre at gardiner og møbler ikke er plassert i nærheten av den valgte posisjonen, da dette vil skape en mulig brannfare eller blokkere varmekanalene til varmeovnen.

ADVARSEL! HOLD ALLE TYPER BRENNBARE MATERIALER MINST 1 M UNNA FRONTEN OG SIDENE PÅ DEN ELEKTRISKE PEISEN.

ALLE INGLENOOK PEISÅPNINGER:

For all modeller kan nødvendige dimensjoner for en Inglenookinstallasjon regnes ut ved å legge 225 mm til høyden på apparatet og 150 mm til hver side. Ytterligere 50 mm må legges til dybden for å gi tilstrekkelig rom bak apparatet.

FITTING THE APPLIANCE/ INSTALLATION DE L'APPAREIL/ HET APPARAAT PLAATSEN/ INSTALLAZIONE DELL'APPARECCHIO/ MONTERING AV APPARATET



GB: IMPORTANT: THE OUTER PANELLING OF THE YEOMAN CL IS MADE FROM CAST IRON. USE CAUTION WHEN INSTALLING, REMOVING AND STORING AS THE COMPONENTS ARE HEAVY AND SHOULD BE HANDLED CAREFULLY.

FR: IMPORTANT : LE PANNEAU EXTERNE DU YEOMAN CL EST FABRIQUÉ EN FONTE. FAIRE ATTENTION LORS DE L'INSTALLATION, DE LA DÉPOSE ET DU STOCKAGE, CAR LES COMPOSANTS SONT LOURDS ET DOIVENT ÊTRE MANIPULÉS AVEC SOIN.

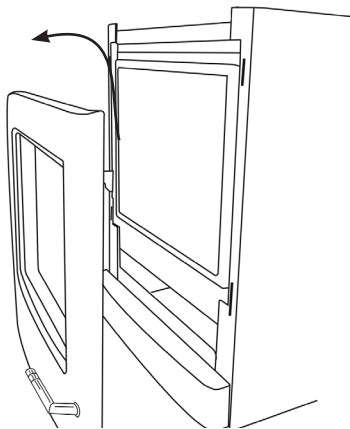
NL: BELANGRIJK: DE BUITENSTE BEHUIZING VAN DE YEOMAN IS VAN GIETIJZER GEMAAKT WEES VOORZICHTIG BIJ HET INSTALLEREN, VERWIJDEREN EN OPSLAAN OMDAT DE COMPONENTEN ZWAAR ZIJN EN VOORZICHTIG BEHANDELD MOETEN WORDEN.

IT: IMPORTANTE: LA PANNELLATURA ESTERNA DI È REALIZZATA IN GHISA. PRESTARE ATTENZIONE DURANTE L'INSTALLAZIONE, LA RIMOZIONE E LA CONSERVAZIONE POICHÉ I COMPONENTI SONO PESANTI E DEVONO ESSERE MANEGGIATI CON CURA.

NO: VIKTIG: DEN YTRE KLEDNINGEN AV ER LAGET I STØPEJERN. VÆR FORSIKTIG MENS MAN INSTALLERER, FJERNER OG LAGRER DA KOMPONENTENE ER TUNGE OG BØR HÅNTERES MED FORSIKTIGHET.

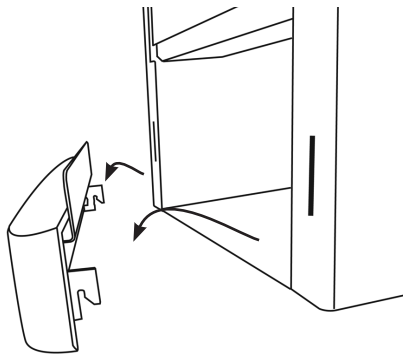
1

All Models/ Tous les modèles/ Alle modellen/
Tutti i Modelli/ Alle modeller



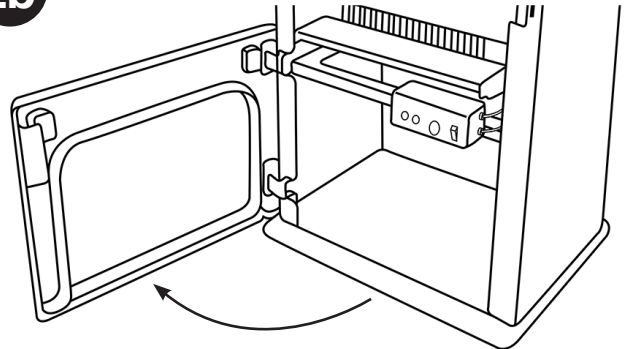
2a

CL3, CL5 & CL8



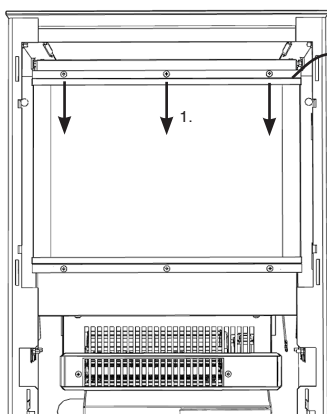
2b

CL5 Midline & Highline



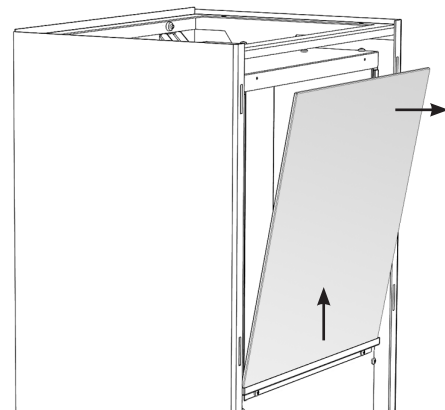
All Models/ Tous les modèles/ Alle modellen/
Tutti i Modelli/ Alle modeller

3



GB: Bracket
FR: Support
NL: Beugel
IT: Staffa
NO: Brakett

4



**FUEL EFFECT: LOG EFFECT - CL3/
 EFFET COMBUSTIBLE: EFFET BÛCHES - CL3/
 BRANDSTOFEFFECT: HOUTBLOKKEN-EFFECT - CL3/
 EFFETTO COMBUSTIBILE: EFFETTO LEGNA - CL3/
 BRENSELEFFEKT: VEDKUBBE-EFFEKT - CL3**

GB: The logs for the fuel bed are NOT individually labelled, the numbers are for reference information only.

Evenly spread the clear pebble effect across the fuel bed.

Randomly space the grey pebble effect throughout the fuel bed, partially covering the clear pebbles.

Identify the logs (see Diagrams).

If desired the Crystal Ice Glass Effect can be placed in between the log layout.

FR: Les bûches pour le lit de combustible NE sont PAS étiquetées individuellement, les numéros servent uniquement de référence.

Répartissez de manière égale les effets galets transparents sur le lit de combustible.

Espacez de manière aléatoire l'effet galets gris sur le lit de combustible, recouvrant partiellement les galets transparents.

Identifiez les bûches (voir le Schémas).

Si vous le souhaitez, vous pouvez placer l'effet verre cristaux de glace entre l'agencement bûche.

NL: De houtblokken voor het brandstofbed zijn niet individueel gelabeld; de waarden dienen enkel als referentie.

Verspreid gelijkmatig het heldere kiezelstenen-effect over het brandstofbed.

Verspreid het grijze kiezeleffect over het brandstofbed om de heldere kiezels gedeeltelijk te bedekken.

Identificeer de houtblokken (zie Afbeeldingen).

Indien gewenst kan het glazen ijskristallen-effect worden geplaatst tussen de houtblokkenopzet.

IT: I ceppi per il crogiolo di combustione NON sono etichettati singolarmente, i numeri sono solo di riferimento.

Distribuire uniformemente l'effetto ciottoli chiari su tutto il crogiolo di combustione.

Distribuire in modo casuale l'effetto di ciottoli grigi in tutto il crogiolo di combustione, coprendo in modo parziale i ciottoli chiari.

Identificare i ceppi (se Diagramma).

Se lo si desidera, è possibile posizionare l'effetto cristalli dighiaccio tra i ceppi disposti.

NO: Vedkubbene for brennkammeret er IKKE merket individuelt, numrene er kun for referanseinformasjon.

Spre de gjennomsiktige stein-effektene jevnt utover brennkammeret.

Spre gråsteineffekten tilfeldig utover brennkammeret, slik at de delvis dekker de gjennomsiktige steinene.

Identifiser vedkubbene (se Diagrammer).

Dersom det er ønskelig, kan krystallglass-effektene plasseres mellom vedkubbenes planløsning.

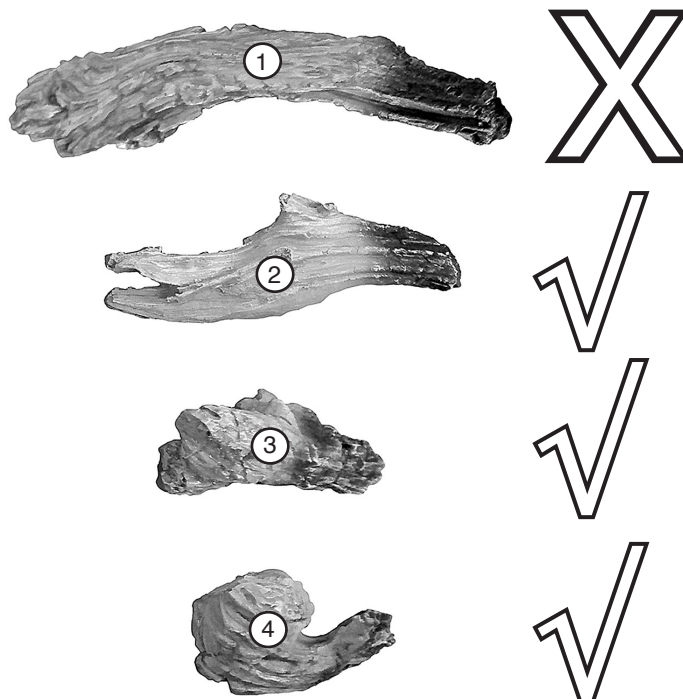
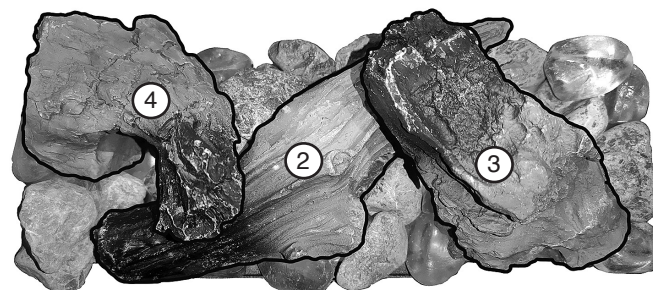
i **GB:** Randomly space the log effects throughout the fuel bed.

FR: Répartissez les effets bûches de façon aléatoire sur l'ensemble du lit de combustible.

NL: Verdeel willekeurig de houtblokken-effect over het brandstofbed.

IT: Distribuire in modo casuale l'effetto legna in tutto il crogiolo di combustione.

NO: Plasser de vedkubbeffekt tilfeldig utover brennkammeret.



**FUEL EFFECT: LOG EFFECT - CL5 & CL8/
 EFFET COMBUSTIBLE: EFFET BÛCHES - CL5 & CL8/
 BRANDSTOFEFFECT: HOUTBLOKKEN-EFFECT - CL5 & CL8/
 EFFETTO COMBUSTIBILE: EFFETTO LEGNA - CL5 & CL8/
 BRENSELEFFEKT: VEDKUBBE-EFFEKT - CL5 & CL8**

GB: The logs for the fuel bed are NOT individually labelled, the numbers are for reference information only.

Evenly spread the clear pebble effect across the fuel bed.

Randomly space the grey pebble effect throughout the fuel bed, partially covering the clear pebbles.

Identify the logs (see Diagrams).

If desired the Crystal Ice Glass Effect can be placed in between the log layout.

FR: Les bûches pour le lit de combustible NE sont PAS étiquetées individuellement, les numéros servent uniquement de référence.

Répartissez de manière égale les effets galets transparents sur le lit de combustible.

Espacez de manière aléatoire l'effet galets gris sur le lit de combustible, recouvrant partiellement les galets transparents.

Identifiez les bûches (voir le Schémas).

Si vous le souhaitez, vous pouvez placer l'effet verre cristaux de glace entre l'agencement bûche.

NL: De houtblokken voor het brandstofbed zijn niet individueel gelabeld; de waarden dienen enkel als referentie.

Verspreid gelijkmatig het heldere kiezelstenen-effect over het brandstofbed.

Verspreid het grijze kiezeleffect over het brandstofbed om de heldere kiezels gedeeltelijk te bedekken.

Identificeer de houtblokken (zie Afbeeldingen).

Indien gewenst kan het glazen ijskristallen-effect worden geplaatst tussen de houtblokkenopzet.

IT: I ceppi per il crogiolo di combustione NON sono etichettati singolarmente, i numeri sono solo di riferimento.

Distribuire uniformemente l'effetto ciottoli chiari su tutto il crogiolo di combustione.

Distribuire in modo casuale l'effetto di ciottoli grigi in tutto il crogiolo di combustione, coprendo in modo parziale i ciottoli chiari.

Identificare i ceppi (se Diagramma).

Se lo si desidera, è possibile posizionare l'effetto cristalli dighiaccio tra i ceppi disposti.

NO: Vedkubbene for brennkammeret er IKKE merket individuelt, numrene er kun for referanseinformasjon.

Spre de gjennomsiktige stein-effektene jevnt utover brennkammeret.

Spre gråsteineffekten tilfeldig utover brennkammeret, slik at de delvis dekker de gjennomsiktige steinene.

Identifiser vedkubbene (se Diagrammer).

Dersom det er ønskelig, kan krystallglass-effektene plasseres mellom vedkubbenes planløsning.



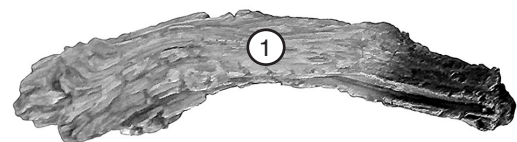
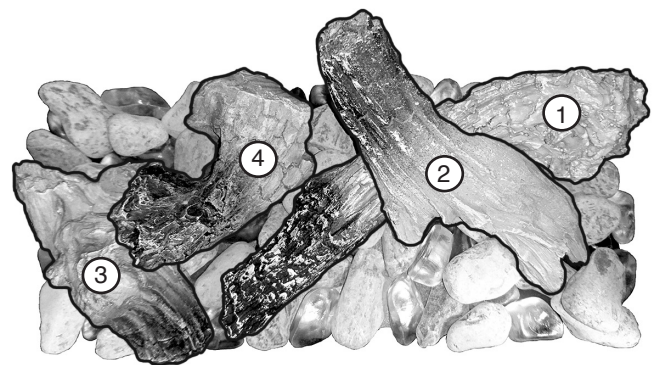
GB: Randomly space the log effects throughout the fuel bed.

FR: Répartissez les effets bûches de façon aléatoire sur l'ensemble du lit de combustible.

NL: Verdeel willekeurig he houtblokken-effect over het brandstofbed.

IT: Distribuire in modo casuale l'effetto legna in tutto il crogiolo di combustione.

NO: Plasser de vedkubbeffekt tilfeldig utover brennkammeret.



FUEL EFFECT - CRYSTAL ICE GLASS EFFECT/
EFFET COMBUSTIBLE - VITRE EFFET CRISTAUX DE GLACE/
BRANDSTOFFEFFECT - GLAZEN IJSKRISTALLEN-EFFECT/
EFFETTO COMBUSTIBILE - EFFETTO CRISTALLO DI GHIACCIO/
BRENSELEFFEKT - KRYSTALLGLASS-EFFEKT

GB: Evenly spread the small glass-effect crystals across the fuel bed.

It is not necessary to use all of the effect supplied.

Randomly space the large glass-effect crystals throughout the fuel bed. **Ensure some of the glass-effect crystals are touching and some are in isolation for the best results.**

FR: Répartissez de manière égale les petits cristaux effet verre sur le lit de combustible.

Il n'est pas nécessaire d'utiliser tout l'effet fourni.

Placez les gros cristaux effet verre n'importe où sur le lit de combustible. **Assurez-vous que certains cristaux à effet de verre se touchent et que d'autres restent isolés pour obtenir les meilleurs résultats.**

NL: Verspreid de kleine glas-effect kristallen gelijkmatig over het brandstofbed.

Het is niet nodig om alle Embaglow draadwol te gebruiken.

Verdeel de grote glas-effect kristallen willekeurig over het brandstofbed. **Voor de beste resultaten zorgt u ervoor dat sommige van de glazige kristallen raken en dat anderen afgedekt zijn.**

IT: Distribuire uniformemente l'effetto piccoli cristalli su tutto il crogiolo di combustione.

Non è necessario utilizzare tutti gli effetti forniti.

Distribuire in modo casuale l'effetto grandi cristalli su tutto il crogiolo di combustione. **Verificare che alcuni dei cristalli a effetto vetro siano in contatti e che altri siano isolati per risultati ottimali.**

NO: Spre de små glasseffekt-krystallene jevnt utover brennkammeret.

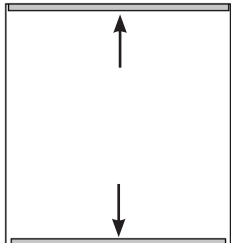
Det er ikke nødvendig å bruke alle effektene som medfølger.

Plasser tilfeldig de store glasseffekt-krystallene over brennkammeret. **Sikre at noen av glasseffekt-krystallene er nær hverandre, mens andre står alene, for beste resultat.**

**5. COMPLETION OF ASSEMBLY/ FINITION DE ASSEMBLAGE/
ASSEMBLAGE VOLTOOIEN/ COMPLETAMENTO DEL MONTAGGIO/
FULLFØRING AV MONTERING**

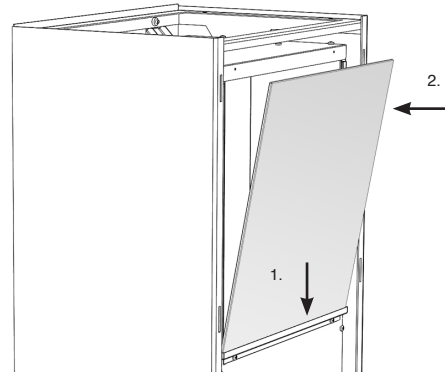
All Models/ Tous les modèles/ Alle modellen/
Tutti i Modelli/ Alle modeller

1

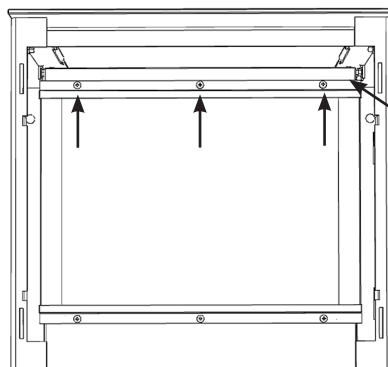


- GB:** Ensure that the top and bottom glass seals are in position on the glass.
FR: Assurez-vous que les joints du verre supérieur et inférieur sont en place sur la vitre.
NL: Zorg ervoor dat de bovenste en onderste afdichtingen correct op het glas geplaatst zijn.
IT: Verificare che i sigilli superiori e inferiori del vetro siano in posizione sullo stesso.
NO: Sikre at topp og bunn glassforseglingene er på posisjon på glasset.

2



3

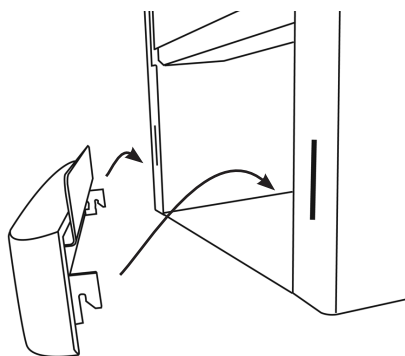


GB: Bracket
FR: Support
NL: Beugel
IT: Staffa
NO: Brakett



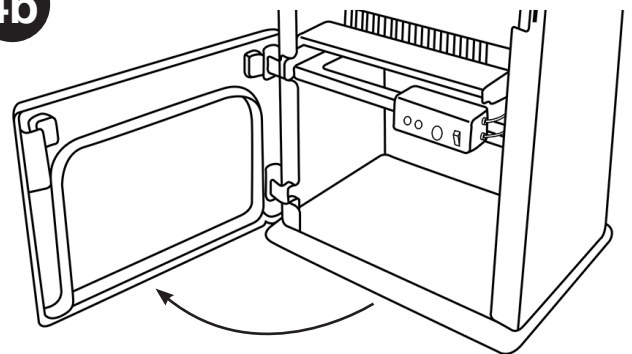
4a

CL3, CL5 & CL8



4b

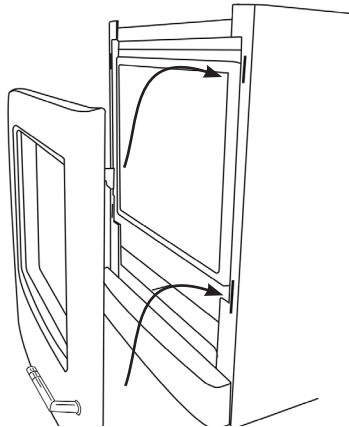
CL5 Midline & Highline



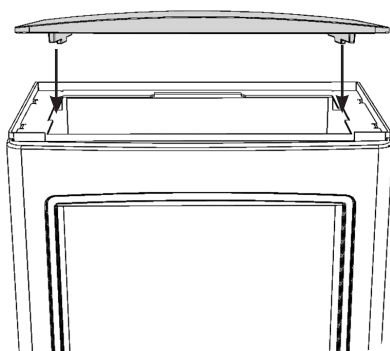
5. COMPLETION OF ASSEMBLY/ FINITION DE ASSEMBLAGE/
 ASSEMBLAGE VOLTOOIEN/ COMPLETAMENTO DEL MONTAGGIO/
 FULLFØRING AV MONTERING

All Models/ Tous les modèles/ Alle modellen/
 Tutti I Modelli/ Alle modeller

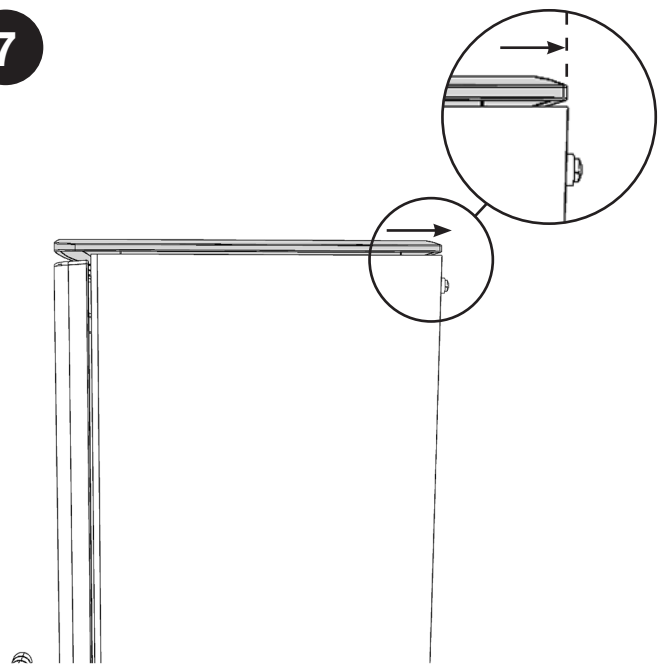
5



6



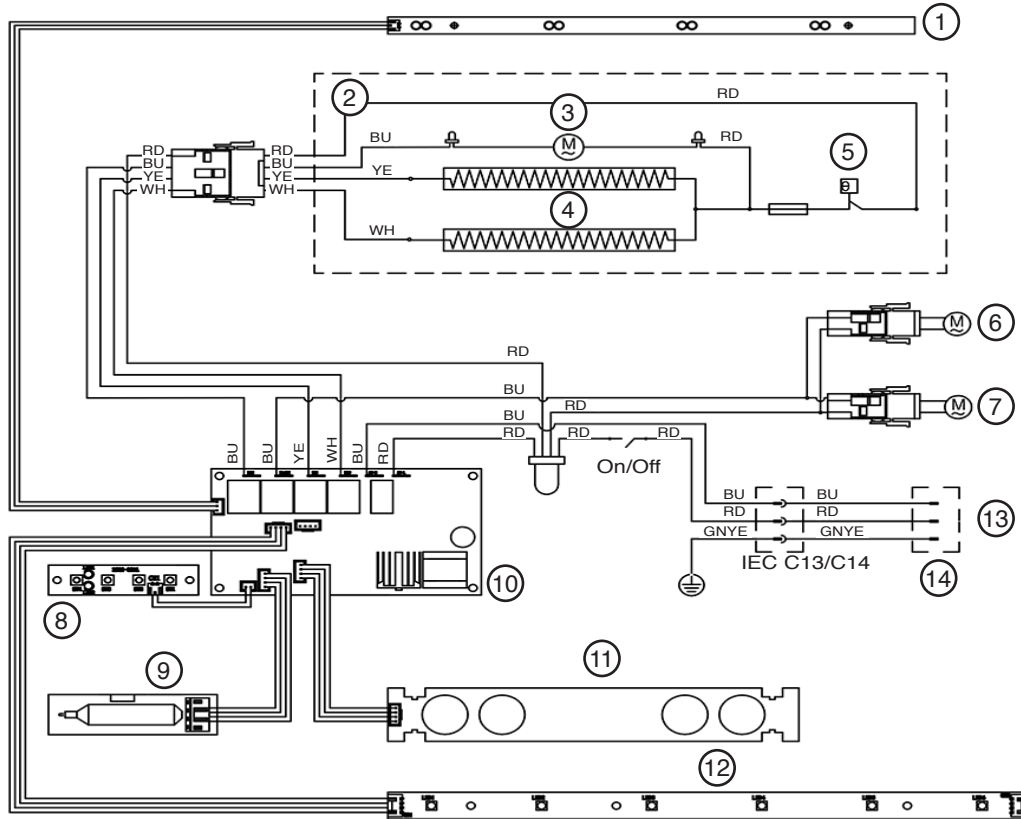
7



8

GB: Connect to the mains via the power socket.
FR: Raccordez l'appareil à la prise secteur.
NL: Verbind met het netwerk via de contactdoos.
IT: Collegare alla rete elettrica utilizzando la relativa presa.
NO: Koble til nettstrømmen via stikkontakten.

WIRING DIAGRAM/ SCHÉMA DE CÂBLAGE/ BEDRADINGSHEMA/
SCHEMA DI CABLAGGIO/ KOBLINGSDIAGRAM



Colour Codes/ Codes couleur/ Kleurcodes/ Codice colore/ Fargekoder					
	English	Français	Nederlands	Italiano	Norsk
RD	RED	ROUGE	ROOD	ROSSO	RØD
BU	BLUE	BLEU	BLAUW	BLU	BLÅ
YE	YELLOW	JAUNE	GEEL	GIALLO	GUL
WH	WHITE	BLANC	WIT	BIANCO	HVIT
BK	BLACK	NOIR	ZWART	NERO	SVART
BN	BROWN	MARRON	BRUIN	MARRONE	BRUN
GNYE	GREEN & YELLOW	VERT & JAUNE	GROEN & GEEL	VERDE E GIALLO	GRØNN OG GUL

No.	English	Français	Nederlands	Italiano	Norsk
1	Top Light LED Board	Panneau à LED de la lampe supérieure	Bovenlicht LED-paneel	Scheda luminosa LED superiore	Øvre lys LED-kort
2	Heater Unit	Unité de chauffage	Verhittereenheid	Unità riscaldatore	Varmeenhet
3	Fan Motor	Moteur du ventilateur	Ventilatoreenheid	Motore ventola	Motore ventola
4	Heater	Élément chauffant	Verwarmingselement	Elemento del riscaldatore	Varmeelement
5	Thermostat	Thermostat	Thermostaat	Termostato	Termostat
6	Flame Effect Motor	Flamme Moteur des effets	Vlam Effectenmotor	Motore della fiamma	Flamme Effektmotor
7	Fuel Effect Motor	Combustible Moteur des effets	Brandstof Effectenmotor	Combustibile Motore effetto	Brensel Effektmotor
8	Button Board	Panneau de boutons	Knoppenpaneel	Scheda pulsanti	Knapp-kort
9	Receiver Board	Panneau du récepteur	Ontvangstpaneel	Ricevitore	Mottager-kort
10	PCB	Circuit imprimé	P.C.B.	P.C.B.	Hovedkretskort
11	Flame Effect LED Board	Panneau à LED des effets de flamme	Vlameffect LED-paneel	Pannello di LED dell'effetto fiamma	Flamme-effekt LED-kort
12	Fuel Effect LED Board	Panneau à LED des effets du lit de combustible	Brandstofbed LED-paneel	Pannello di LED dell'effetto combustibile	Brenseffekt LED-kort
13	Plug Connector Incoming AC Supply: 230V 50Hz required	Connecteur de prise Alimentation CA ; 230V 50Hz	Plugverbinding AC-voeding 230V 50Hz	Connettore della spina Alimentazione AC 230V 50Hz	Stikkontakt strømforsyning: 230V 50Hz
14	UK BS1363 Plug 13A BS1362 Fuse	-	-	-	--

INFORMATION REQUIREMENT FOR ELECTRIC LOCAL SPACE HEATERS
INFORMATIONS À FOURNIR POUR UN APPAREIL DE CHAUFFAGE ÉLECTRIQUE
LOCALISÉ/ INFORMATIE-EISEN VOOR ELEKTRISCHE TOESTELLEN VOOR LOKALE
RUIMTEVERWARMING/ INFORMAZIONI OBBLIGATORIE PER GLI APPARECCHI PER IL
RISCALDAMENTO D'AMBIENTE LOCALE ELETTRICI

Model Modèle Modello Modell		CL3	CL5	CL5 Midline	CL5 Highline	CL8
Heat Output Puissance calorifique Warmteafgifte Potenza termica	Nominal Heat Output - P_{nom} Puissance calorifique nominale - P_{nom} Nominale warmteafgifte - P_{nom} Potenza termica nominale - P_{nom}	1.5kW	1.5kW	1.5kW	1.5kW	1.5kW
	Minimum Heat Output - P_{min} Puissance calorifique minimale - P_{min} Minimale warmteafgifte - P_{min} Potenza termica minima (indicativa) - P_{min}	0.75kW	0.75kW	0.75kW	0.75kW	0.75kW
	Maximum Continuous Heat Output - $P_{max, c}$ Sortie de chauffage constante maximum - $P_{max, c}$ Maximale continue warmteproductie - $P_{max, c}$ Massima potenza termica continua - $P_{max, c}$	1.5kW	1.5kW	1.5kW	1.5kW	1.5kW

Auxiliary Electricity Consumption Consommation électrique auxiliaire Aanvullend elektriciteitsverbruik Consumo ausilia rio di energia elettrica	At Nominal Heat Output - e_{lmax} À la puissance calorifique nominale - e_{lmax} Bij nominale warmteafgifte - e_{lmax} Alla potenza termica nominale - e_{lmax}	12.5W	12.5W	12.5W	12.5W	12.5W
	At Minimum Heat Output - e_{lmin} À la puissance calorifique minimale - e_{lmin} Bij minimale warmteafgifte - e_{lmin} Alla potenza termica minima - e_{lmin}	12.0W	12.0W	12.0W	12.0W	12.0W
	In Standby Mode - e_{lSb} En mode veille - e_{lSb} In stand-by-modus - e_{lSb} In modo stand-by - e_{lSb}	0.49W	0.49W	0.49W	0.49W	0.49W

Type of heat input, for electric storage local space heaters only
Type d'apport de chaleur, uniquement pour les appareils de chauffage électriques localisés
Type warmte-input, uitsluitend voor elektrische warmteopslagtoestellen
Tipo di potenza termica, solo per gli apparecchi per il riscaldamento d'ambiente locale elettrici ad accumulato

Manual heat charge control, with integrated thermostat Commande manuelle de charge de chaleur avec thermostat intégré Handmatige sturing van de warmteopslag, met geïntegreerde thermostaat Controllo manuale del carico termico, con termostato integrato	No Non Nee No	No Non Nee No	No Non Nee No	No Non Nee No	No Non Nee No
Manual heat charge control with room and/or outdoor temperature feedback Commande manuelle de charge de chaleur avec retour de température de la pièce et/ou extérieure Handmatige sturing van de warmteopslag, met kamer- en/of buitentemperatuurfeedback Controllo manuale del carico termico con riscontro della temperatura ambiente e/o esterna	No Non Nee No	No Non Nee No	No Non Nee No	No Non Nee No	No Non Nee No
Electronic heat charge control with room and/or outdoor temperature feedback Commande électronique de charge de chaleur avec retour de température de la pièce et/ou extérieure Elektronische sturing van de warmteopslag, met kamer- en/of buitentemperatuurfeedback Controllo elettronico del carico termico con riscontro della temperatura ambiente e/o esterna	No Non Nee No	No Non Nee No	No Non Nee No	No Non Nee No	No Non Nee No
Fan assisted heat output Puissance calorifique assistée par ventilateur Door een ventilator bijgestane warmteafgifte Potenza termica assistita da ventilatore	No Non Nee No	No Non Nee No	No Non Nee No	No Non Nee No	No Non Nee No

* Ikke aktuelt for Norge

INFORMATION REQUIREMENT FOR ELECTRIC LOCAL SPACE HEATERS
INFORMATIONS À FOURNIR POUR UN APPAREIL DE CHAUFFAGE ÉLECTRIQUE
LOCALISÉ/ INFORMATIE-EISEN VOOR ELEKTRISCHE TOESTELLEN VOOR LOKALE
RUIMTEVERWARMING/ INFORMAZIONI OBBLIGATORIE PER GLI APPARECCHI PER IL
RISCALDAMENTO D'AMBIENTE LOCALE ELETTRICI

Type of heat output/room temperature control Type de puissance calorifique/régulation de température ambiante Type warmteafgifte/sturing kamertemperatuur Tipo di p�otenza termica/controllo della temperatura ambiente					
Single stage heat output and no room temperature control Puissance calorifique de niveau unique, pas de r�egulation de la temp�erature ambiante Eentrapswarmteafgifte, geen sturing van de kamertemperatuur Potenza termica a fase unica senza controllo della temperatura ambiente	No Non Nee No	No Non Nee No	No Non Nee No	No Non Nee No	No Non Nee No
Two or more manual stages, no room temperature control Au moins deux niveaux manuels, pas de r�egulation de la temp�erature ambiante Twee of meer handmatig in te stellen trappen, geen sturing van de kamertemperatuur Due o pi�u fasi manuali senza controllo della temperatura ambiente	No Non Nee No	No Non Nee No	No Non Nee No	No Non Nee No	No Non Nee No
With mechanic thermostat room temperature control Avec r�egulation de la temp�erature ambiante par thermostat m�ecanique Met mechanische sturing van de kamertemperatuur door thermostaat Con controllo della temperatura ambiente tramite termostato meccanico	No Non Nee No	No Non Nee No	No Non Nee No	No Non Nee No	No Non Nee No
With electronic room temperature control Avec r�egulation �electronique de la temp�erature ambiante Met elektronische sturing van de kamertemperatuur Con controllo elettronico della temperatura ambiente	No Non Nee No	No Non Nee No	No Non Nee No	No Non Nee No	No Non Nee No
Electronic room temperature control plus day timer Avec r�egulation �electronique de la temp�erature ambiante plus minuteur jour Met elektronische sturing van de kamertemperatuur plus dag-tijdschakelaar Con controllo elettronico della temperatura ambiente e temporizzatore giornaliero	No Non Nee No	No Non Nee No	No Non Nee No	No Non Nee No	No Non Nee No
Electronic room temperature control plus week timer Avec r�egulation �electronique de la temp�erature ambiante plus minuteur semaine Met elektronische sturing van de kamertemperatuur plus week-tijdschakelaar Con controllo elettronico della temperatura ambiente e temporizzatore settimanale	Yes Oui Ja S�i	Yes Oui Ja S�i	Yes Oui Ja S�i	Yes Oui Ja S�i	Yes Oui Ja S�i

Other control options Autres options de commande Andere sturingsopties Altre opzioni di controllo					
Room temperature control, with presence detection R�egulation de la temp�erature ambiante, avec d�etection de pr�esence Sturing van de kamertemperatuur, met aanwezigheidsdetectie Controllo della temperatura ambiente con rilevamento di presenza	No Non Nee No	No Non Nee No	No Non Nee No	No Non Nee No	No Non Nee No
Room temperature control, with open window detection R�egulation de la temp�erature ambiante, avec d�etection de fen�etre ouverte Sturing van de kamertemperatuur, met openraamdetectie Controllo della temperatura ambiente con rilevamento di finestre aperte	Yes Oui Ja S�i	Yes Oui Ja S�i	Yes Oui Ja S�i	Yes Oui Ja S�i	Yes Oui Ja S�i
With distance control option Avec option de commande � distance Met de optie van afstandsbediening Con opzione di controllo a distanza	No Non Nee No	No Non Nee No	No Non Nee No	No Non Nee No	No Non Nee No
With adaptive start control Avec commande de mise en route adaptive Met adaptieve sturing van de start Con controllo di avviamento adattabile	Yes Oui Ja S�i	Yes Oui Ja S�i	Yes Oui Ja S�i	Yes Oui Ja S�i	Yes Oui Ja S�i
With working time limitation Avec restriction de dur�ee d'utilisation Met beperking van de werkingstijd Con limitazione del tempo di funzionamento	No Non Nee No	No Non Nee No	No Non Nee No	No Non Nee No	No Non Nee No
With black bulb sensor Avec capteur bulbe noir Met black-bulbsensor Con termometro a globo nero	No Non Nee No	No Non Nee No	No Non Nee No	No Non Nee No	No Non Nee No

Contact:	Gazco Ltd, Osprey Road, Sowton Industrial Estate, Exeter, EX2 7JG
-----------------	---

* Ikke aktuelt for Norge

Gazco Limited, Osprey Road, Sowton Industrial Estate, Exeter, Devon, England EX2 7JG
Technical Customer Services (01392) 261950 Fax: (01392) 261951
E-mail: technicalservices@gazco.com

A member of the Stovax Group

